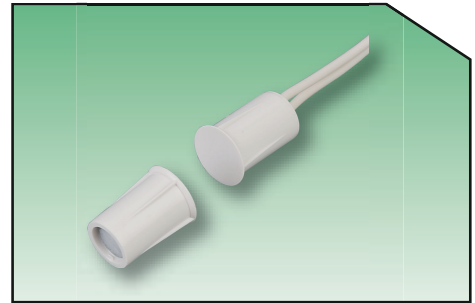


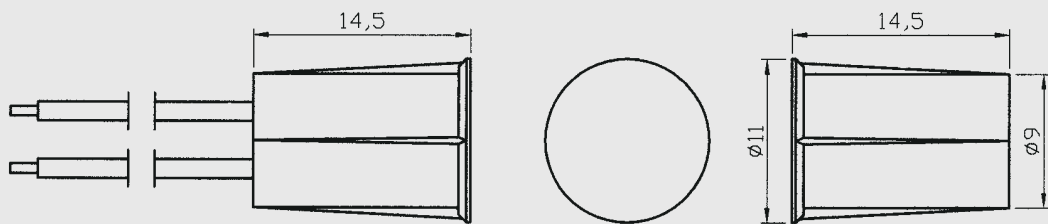
## Specification: **BR-1011**

- 3/8" diameter Super Miniature Stubby switch
- Press to fit
- Standard 18" #22AWG Leads
- Switch or magnet are available separately
- Special leads available on request
- Resistor, Diode and Supervisory Loop available on request
- Colors: White, Brown, Grey

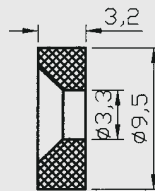
### ... Recessed Mounted



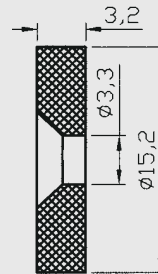
## Dimension (mm):



### Alternate Rare Earth Magnets:



**MN400**  
for BR-1011DM



**MN600**  
for BR-1011DMWG

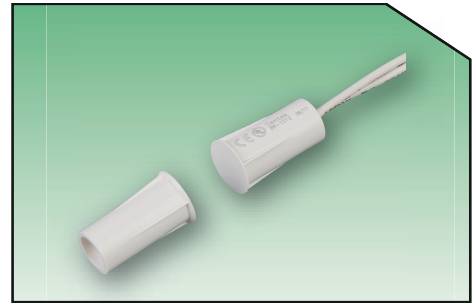
## Order Information:

Part Number	Loop Type	Reed Form	Closed Gap [Inch(mm)]	Departure Gap [Inch(mm)]	Maximum Initial Contact Resistance (Ohm)	Maximum Contact Rating (W)	Maximum Switching Voltage (VDC/VAC)	Maximum Switching Current (A)
BR-1011	Closed	N/O	3/4 (19)	0.8 (20)	0.200	10	100	0.5
BR-1011DM	Closed	N/O	5/8 (16)	0.72 (18)	0.200	10	100	0.5
BR-1011DMWG	Closed	N/O	1 (25)	1.06 (27)	0.200	10	100	0.5

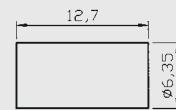
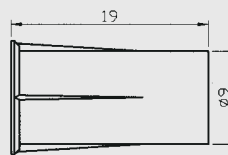
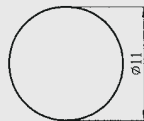
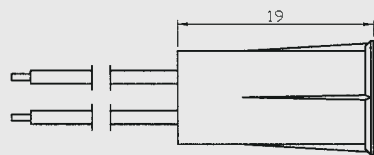
## Specification: BR-1012

- 3/8" diameter miniature flush mounted
- Press to fit
- Standard 18" #22AWG Leads
- Special leads upon request
- Switch or magnet are available separately
- Resistor, Diode and Supervisory Loop available on request
- Colors: White, Brown, Grey

### ... Recessed Mounted

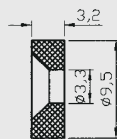


## Dimension (mm):

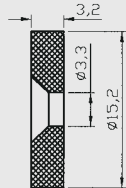


**MN25050**  
for BR-1012MN2550

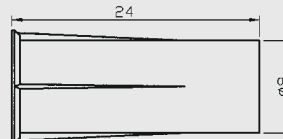
### Alternate Rare Earth Magnets:



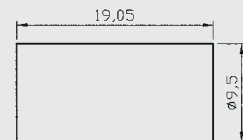
**MN400**  
for BR-1012DM



**MN600**  
for BR-1012DMWG



**M3710C**  
for BR-1012WGL



**MN37075**  
for BR-1012XWG

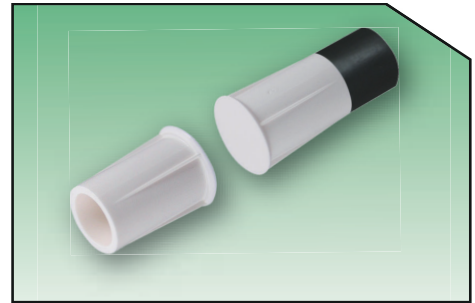
## Order Information:

Part Number	Loop Type	Reed Form	Closed Gap [Inch(mm)]	Departure Gap [Inch(mm)]	Maximum Initial Contact Resistance (Ohm)	Maximum Contact Rating (W)	Maximum Switching Voltage (VDC/VAC)	Maximum Switching Current (A)
BR-1012	Closed	N/O	3/4 (19)	0.8 (20)	0.150	10	100	0.5
BR-1012WG	Closed	N/O	1 1/4 (32)	1.45 (37)	0.150	10	100	0.5
BR-1012WGL	Closed	N/O	1 1/8 (28)	1.1 (28)	0.150	10	100	0.5
BR-1012MN2550	Closed	N/O	3/4 (20)	0.9(23)	0.150	10	100	0.5
BR-1012DM	Closed	N/O	5/8 (16)	0.75(19)	0.150	10	100	0.5
BR-1012DMWG	Closed	N/O	1(25)	1.05(27)	0.150	10	100	0.5

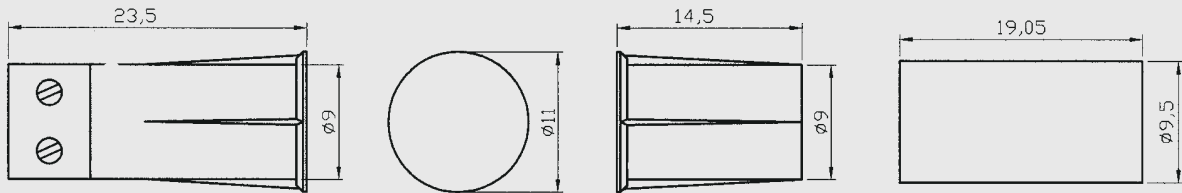
## Specification: BR-1012T

- 3/8" diameter Stubby press to fit
- Terminal block for quick connecting
- Switch or magnet available separately
- Build-in Resistors or Diodes on request
- Colors: White, Brown, Grey

## ... Recessed Mounted

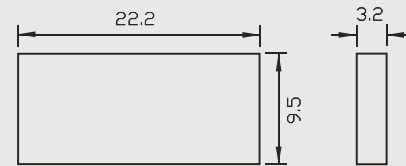


## Dimension (mm):



MN37075 for BR-1012TWG

### Alternate Rare Earth Magnets:



MN123787 for BR-1012TFM

## Order Information:

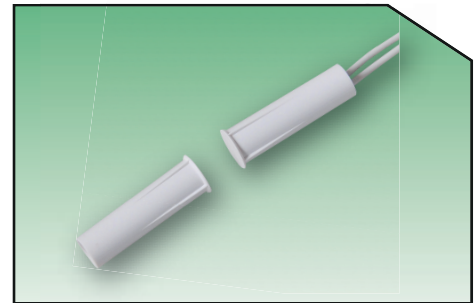
Part Number	Loop Type	Reed Form	Closed Gap [Inch(mm)]	Departure Gap [Inch(mm)]	Maximum Initial Contact Resistance (Ohm)	Maximum Contact Rating (W)	Maximum Switching Voltage (VDC/VAC)	Maximum Switching Current (A)
BR-1012T	Closed	N/O	3/4 (19)	0.82 (21)	0.150	10	100	0.5
BR-1012TWG	Closed	N/O	1 1/4 (35)	1.47 (37)	0.150	10	100	0.5
BR-1012TFM	Closed	N/O	1 1/4 (31)	1.3 (33)	0.150	10	100	0.5

Note: Wire Range: #20~#24AWG

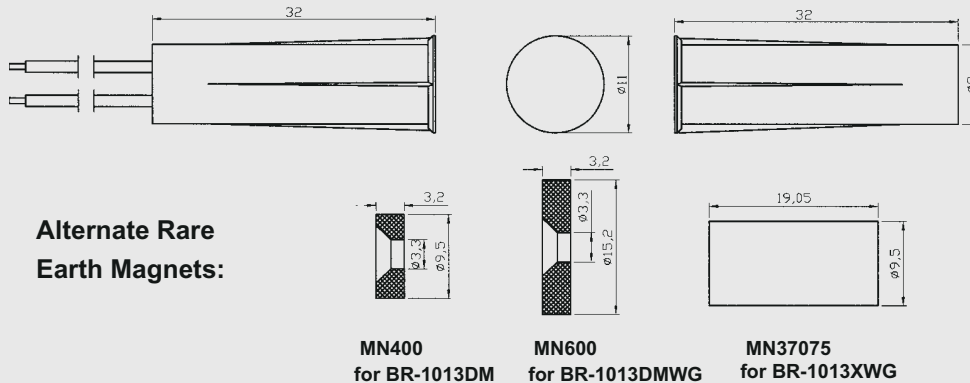
## Specification: **BR-1013**

- 3/8" diameter press to fit
- Standard 18" #22 AWG leads
- Special leads upon request
- Switch or magnet are available separately
- Resistor, Diode and Supervisory Loop available on request
- Build-in Resistors or Diodes on quest
- Colors: White, Brown, Grey

### ... Recessed Mounted



## Dimension (mm):



## Order Information:

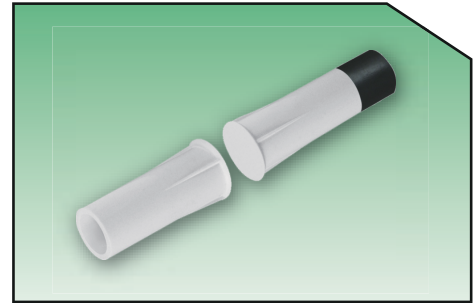
Part Number	Loop Type	Reed Form	Closed Gap [Inch(mm)]	Departure Gap [Inch(mm)]	Maximum Initial Contact Resistance (Ohm)	Maximum Contact Rating (W)	Maximum Switching Voltage (VDC/VAC)	Maximum Switching Current (A)
BR-1013	Closed	N/O	1(25)	1.1(28)	0.150	10	100	0.5
BR-1013XWG	Closed	N/O	1 1/4(37)	1.81(46)	0.150	10	100	0.5
BR-1013DM	Closed	N/O	3/4(19)	0.87(22)	0.150	10	100	0.5
BR-1013DMWG	Closed	N/O	1 1/4(31)	1.3(33)	0.150	10	100	0.5
BR-1013A	Open	N/C	7/8(22)		0.150	3	30	0.2
BR-1013C	Closed & Open	SPDT	7/8(22)		0.150	3	30	0.2
BR-1013DMA	Open	N/C	5/8(15)		0.150	3	30	0.2
BR-1013DMC	Closed & Open	SPDT	5/8(15)		0.150	3	30	0.2
BR-1013DMWGA	Open	N/C	1(25)		0.150	3	30	0.2
BR-1013DMWGC	Closed & Open	SPDT	1(25)		0.150	3	30	0.2

\* BR-1013XWG magnetic contact switches shall be installed so that a door or other movable opening cannot be opened more than 2 inches (51mm) without initiating an alarm. Switches exceeding 2 inches can not be installed per UL681-the Standard for Installation and Classification of Burglar and Holdup Alarm

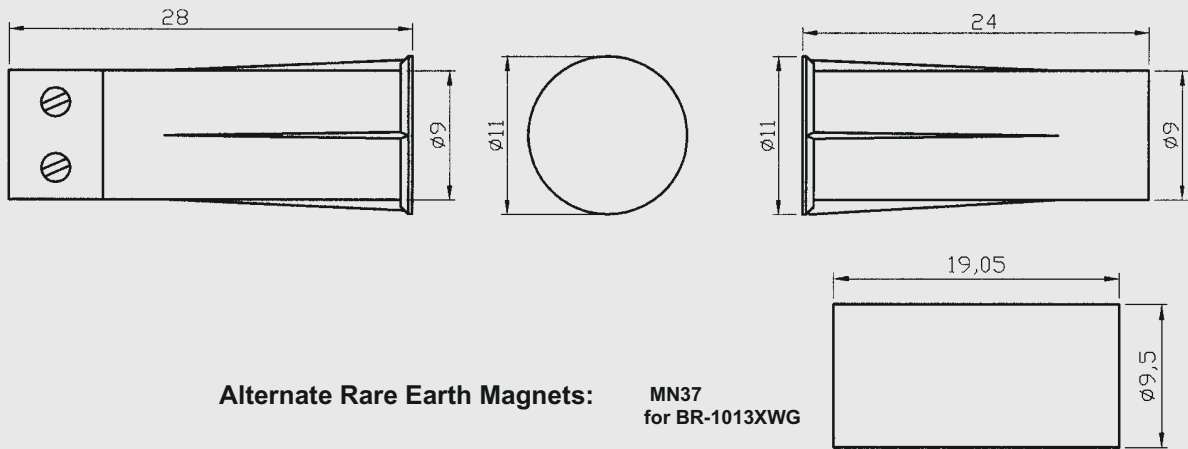
## Specification: BR-1013T

- 3/8" diameter press to fit
- Terminal block for quick connecting
- Switch and Magnet available seperately
- Build-in Resistors or Diodes on quest
- Colors: White, Brown, Grey

### ... Recessed Mounted



## Dimension (mm):



## Order Information:



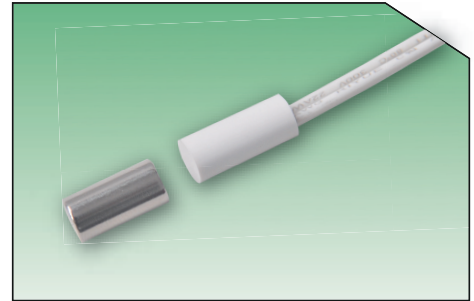
Part Number	Loop Type	Reed Form	Closed Gap [Inch(mm)]	Depature Gap [Inch(mm)]	Maximum Initial Contact Resistance (Ohm)	Maximum Contact Rating (W)	Maximum Switching Voltage (VDC/VAC)	Maximum Switching Current (A)
BR-1013T	Closed	N/O	$\frac{15}{16}$ (23)	0.87 (25)	0.150	10	100	0.5
BR-1013TXWG	Closed	N/C	$1\frac{1}{2}$ (37)	1.61 (41)	0.150	10	100	0.5
BR-1013TA	Open	N/C	$\frac{3}{4}$ (19)		0.150	3	30	0.2

Note: Wire Range: #20~#24AWG

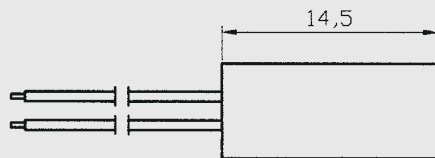
## Specification: **BR-1014**

- Super miniature recessed switch
- 1/4" diameter straight cylindrical set for flush or counter sunk installations
- Standard 18" #22AWG leads
- Switch and Magnet available separately
- Wide gap up to 1"+ with 1/4" x 1" rare earth magnet
- Colors: White, Brown, Grey

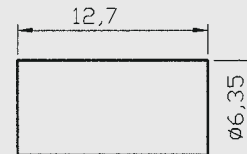
### ... Recessed Mounted



## Dimension (mm):



**SWITCH**



**MAGNET**

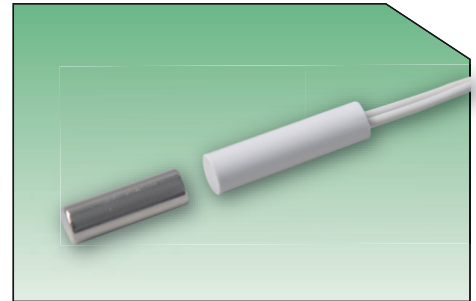
## Order Information:

Part Number	Loop Type	Reed Form	Closed Gap [Inch(mm)]	Departure Gap [Inch(mm)]	Maximum Initial Contact Resistance (Ohm)	Maximum Contact Rating (W)	Maximum Switching Voltage (VDC/VAC)	Maximum Switching Current (A)
BR-1014	Closed	N/O	3/4 (19)	0.93(23)	0.150	10	100	0.5

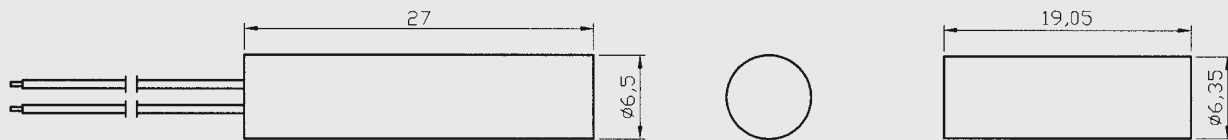
## Specification: **BR-1015**

- Super miniature recessed switch
- 1/4" diameter straight cylindrical set for flush or counter sunk installations
- Standard 18" #22AWG leads
- Special leads available
- Switch and Magnet available separately
- Resistor, Diode and Supervisory Loop available on request
- Colors: White, Brown, Grey

### ... Recessed Mounted



## Dimension (mm):



**SWITCH**

**MAGNET**

## Order Information:

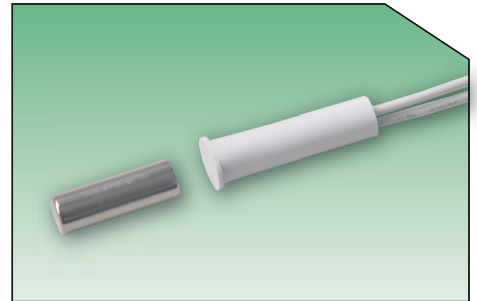


Part Number	Loop Type	Reed Form	Closed Gap [Inch(mm)]	Departure Gap [Inch(mm)]	Maximum Initial Contact Resistance (Ohm)	Maximum Contact Rating (W)	Maximum Switching Voltage (VDC/VAC)	Maximum Switching Current (A)
BR-1015	Closed	N/O	1 (25)	1.06 (27)	0.150	10	100	0.5
BR-1015A	Open	N/C	3/4 (20)		0.150	3	30	0.2
BR-1015C	Closed & Open	SPDT	3/4 (20)		0.150	3	30	0.2

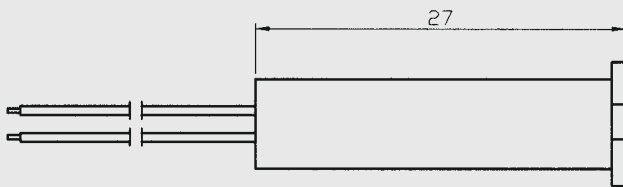
## Specification: **BR-1016**

- 1/4" diameter flanged flush type
- Flanged to prevent inadvertent pulling of the switch into the wall
- Wire: 18" #22AWG leads
- Special leads available
- Resistor, Diode and Supervisory Loop available on request
- Colors: White, Brown, Grey

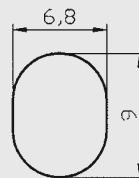
### ... Recessed Mounted



## Dimension (mm):



**SWITCH**



**MAGNET**

## Order Information:



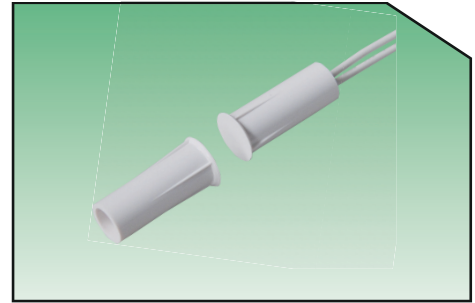
Part Number	Loop Type	Reed Form	Closed Gap [Inch(mm)]	Departure Gap [Inch(mm)]	Maximum Initial Contact Resistance (Ohm)	Maximum Contact Rating (W)	Maximum Switching Voltage (VDC/VAC)	Maximum Switching Current (A)
BR-1016	Closed	N/O	1 (25)	1.06 (27)	0.150	10	100	0.5
BR-1016A	Open	N/O	3/4 (20)		0.150	3	30	0.2
BR-1016C	Closed & Open	SPDT	3/4 (20)		0.150	3	30	0.2



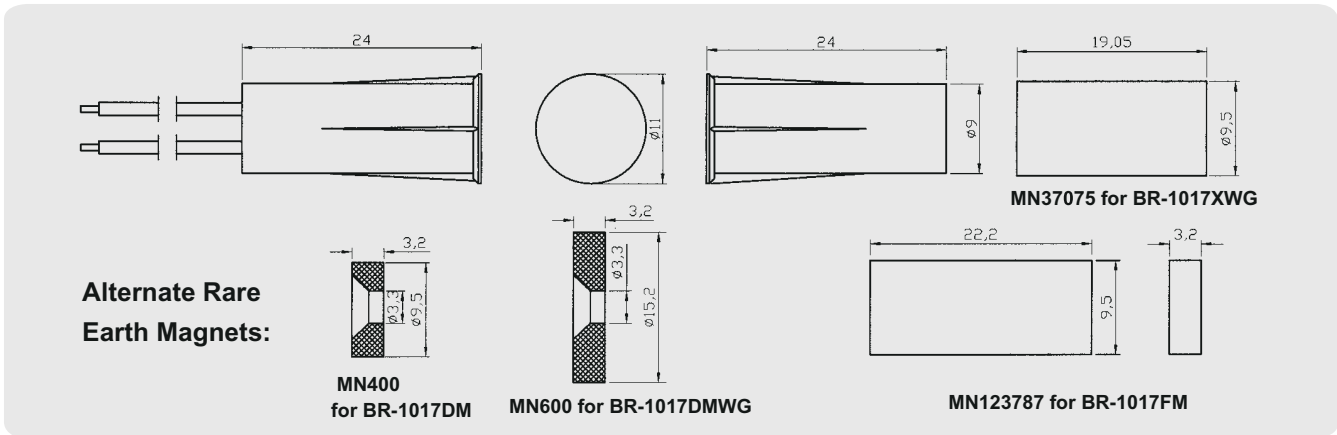
## Specification: BR-1017

- Recessed switch
- 3/8" diameter press to fit
- Standard 18" #22AWG leads
- Switch and Magnet available separately
- Special leads available
- Resistor, Diode and Supervisory Loop available on request
- Colors: White, Brown, Grey

### ... Recessed Mounted



## Dimension (mm):



## Order Information:

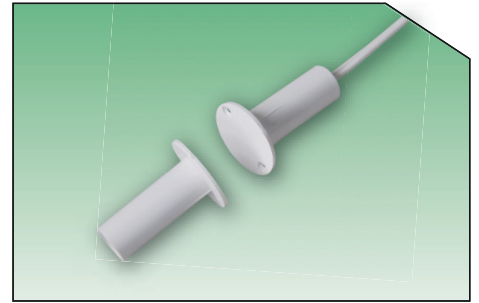
Part Number	Loop Type	Reed Form	Closed Gap [Inch(mm)]	Departure Gap [Inch(mm)]	Maximum Initial Contact Resistance (Ohm)	Maximum Contact Rating (W)	Maximum Switching Voltage (VDC/VAC)	Maximum Switching Current (A)
BR-1017	Closed	N/O	3/4(19)	0.87 (22)	0.150	10	100	0.5
BR-1017WG	Closed	N/O	1(25)	1.1 (28)	0.150	10	100	0.5
BR-1017XWG	Closed	N/O	1 1/4(32)	1.38 (35)	0.150	10	100	0.5
BR-1017FM	Closed	N/O	1 1/8(28)	1.18 (30)	0.150	10	100	0.5
BR-1017DM	Closed	N/O	3/4(19)	0.87 (22)	0.150	10	100	0.5
BR-1017DMWG	Closed	N/O	1(25)	1.06 (27)	0.150	10	100	0.5
BR-1017A	Open	N/C	3/4(17)		0.150	3	30	0.2
BR-1017C	Closed & Open	SPDT	3/4(17)		0.150	3	30	0.2



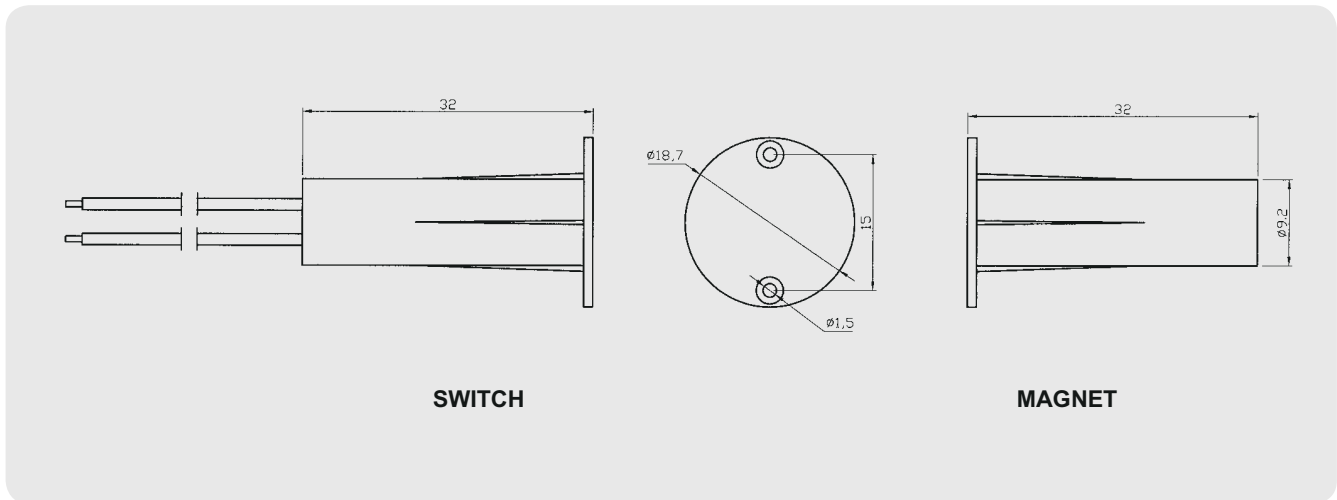
## Specification: **BR-1018**

- Flanged recessed switch
- 3/8" diameter press to fit
- Standard 18" #22AWG leads
- Special wire available
- Switch and Magnet available separately
- Resistor, Diode and Supervisory Loop available on request
- Colors: White, Brown, Grey

### ... Recessed Mounted



## Dimension (mm):



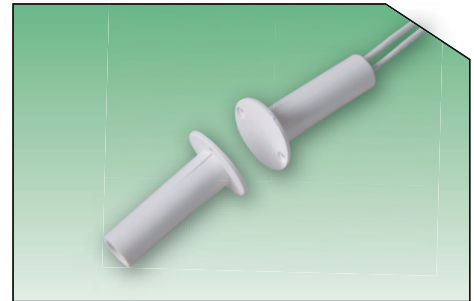
## Order Information:

Part Number	Loop Type	Reed Form	Closed Gap [Inch(mm)]	Departure Gap [Inch(mm)]	Maximum Initial Contact Resistance (Ohm)	Maximum Contact Rating (W)	Maximum Switching Voltage (VDC/VAC)	Maximum Switching Current (A)
BR-1018	Closed	N/O	3/4 (19)	0.78 (22)	0.150	10	100	0.5
BR-1018WG	Closed	N/O	1 (25)		0.150	10	100	0.5
BR-1018A	Open	N/C	3/4 (19)		0.150	3	30	0.2
BR-1018C	Closed & Open	SPDT	3/4 (19)		0.150	3	30	0.2

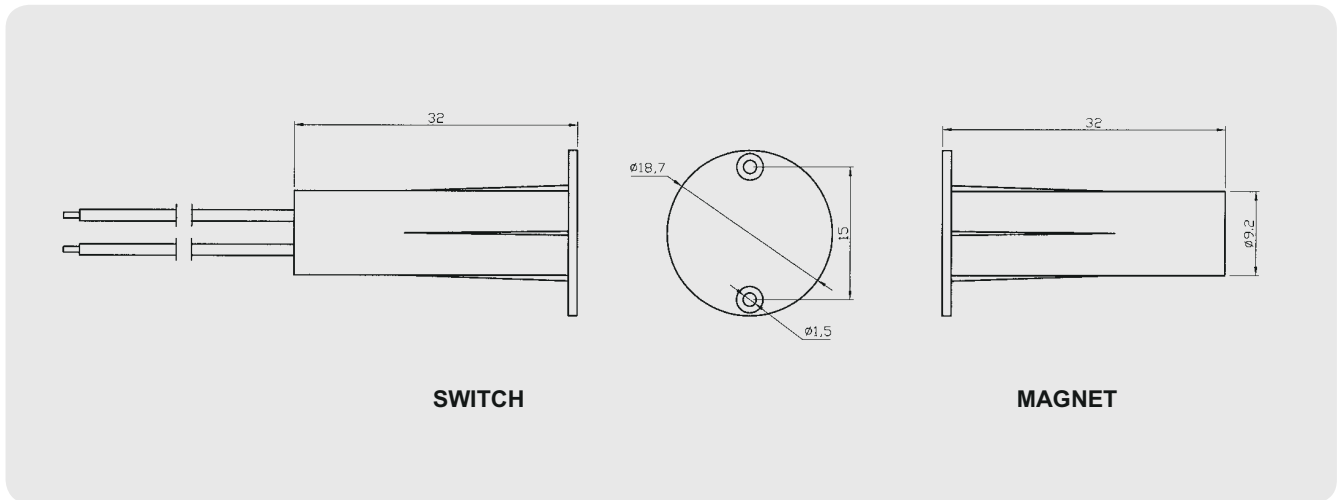
## Specification: **BR-1019**

- Flanged recessed switch
- 3/8" diameter press to fit
- Standard 18" #22AWG leads
- Special wire available
- Switch and Magnet available separately
- Resistor, Diode and Supervisory Loop available on request
- Colors: White, Brown, Grey

### ... Recessed Mounted



## Dimension (mm):



**SWITCH**

**MAGNET**

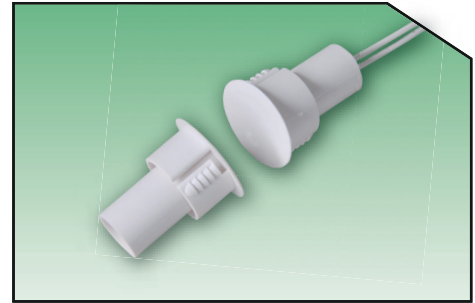
## Order Information:

Part Number	Loop Type	Reed Form	Closed Gap [Inch(mm)]	Departure Gap [Inch(mm)]	Maximum Initial Contact Resistance (Ohm)	Maximum Contact Rating (W)	Maximum Switching Voltage (VDC/VAC)	Maximum Switching Current (A)
BR-1019	Closed	N/O	3/4 (19)	0.87 (22)	0.150	10	100	0.5
BR-1019WG	Closed	N/O	1 (25)	1.1 (28)	0.150	10	100	0.5
BR-1019A	Open	N/C	3/4 (19)		0.150	3	30	0.2
BR-1019C	Closed & Open	SPDT	3/4 (19)		0.150	3	30	0.2

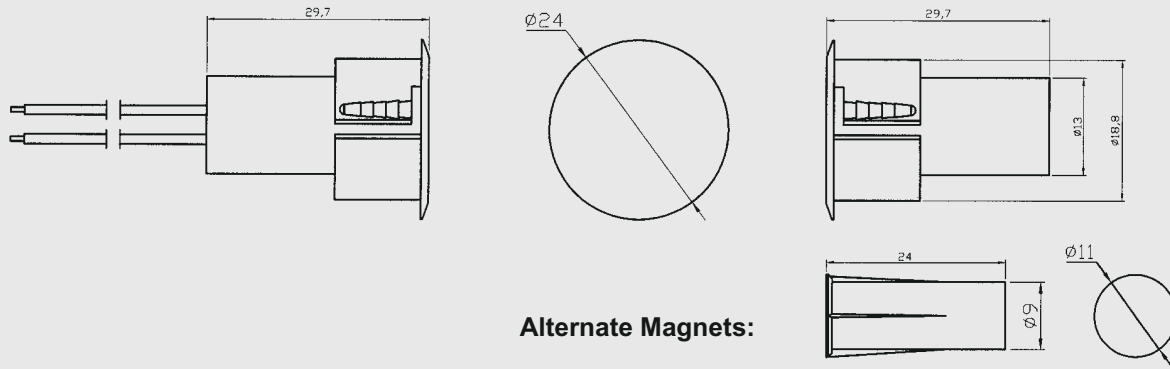
## Specification: BR-1021

- 3/4" diameter press to fit
- Suitable for steel door install
- Self-locking
- Standard 18" #22AWG leads
- Special leads available
- Switch and Magnet available separately
- Resistor, Diode and Supervisory Loop available on request
- Colors: White, Brown, Grey

## Recessed Mounted



## Dimension (mm):



Alternate Magnets:

M3710C for BR-1021MM

## Order Information:

Part Number	Loop Type	Reed Form	Closed Gap (in steel door) [Inch(mm)]	Departure Gap (in steel door) [Inch(mm)]	Maximum Initial Contact Resistance (Ohm)	Maximum Contact Rating (W)	Maximum Switching Voltage (VDC/VAC)	Maximum Switching Current (A)
BR-1021	Closed	N/O	3/4 (19)	0.95 (24)	0.150	7.5	100	0.4
BR-1021MM	Closed	N/O	3/4 (19) (in wood)	1 (25)	0.150	7.5	100	0.4
BR-1021WG	Closed	N/O	1 (25)		0.150	7.5	100	0.4
BR-1021A	Open	N/C	5/8 (15)		0.150	3	30	0.2
BR-1021C	Closed & Open	SPDT	5/8 (15)		0.150	3	30	0.2
BR-1021D	DPDT	2SPDT	1/2 (12)		0.150	3	30	0.2

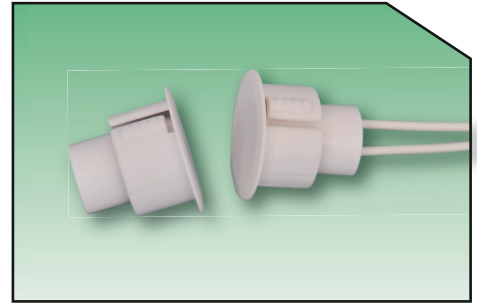
Note: Gap will increase twice for installations other than steel

\* These magnetic contact switches shall be installed so that a door or other movable opening cannot be opened more than 2 inches (51mm) without initiating an alarm. Switches exceeding 2 inches can not be installed per UL681-the Standard for Installation and Classification of Burglar and Holdup Alarm

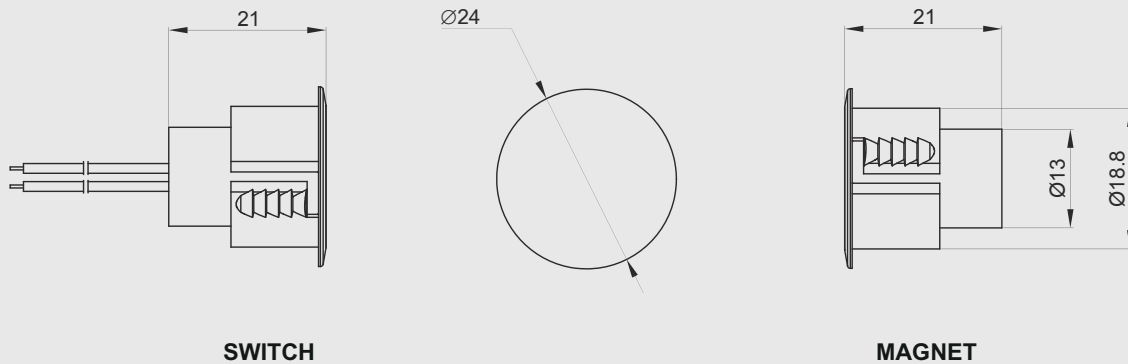
## Specification: BR-1021-1

- 3/4" diameter press to fit
- Suitable for steel door install
- Self-locking
- Standard 18" #22AWG leads
- Special leads available
- Switch and Magnet available separately
- Resistor, Diode and Supervisory Loop available on request
- Colors: White, Brown, Grey

## Recessed Mounted



## Dimension (mm):



## Order Information:



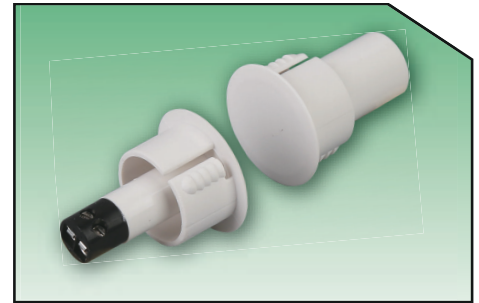
Part Number	Loop Type	Reed Form	Closed Gap (in steel door) [Inch(mm)]	Departure Gap (in steel door) [Inch(mm)]	Maximum Initial Contact Resistance (Ohm)	Maximum Contact Rating (W)	Maximum Switching Voltage (VDC/VAC)	Maximum Switching Current (A)
BR-1021-1	Closed	N/O	3/4 (19)	0.95 (24)	0.150	7.5	100	0.4
BR-1021-1A	Open	N/C	5/8 (15)		0.150	3	30	0.2
BR-1021-1C	Closed & Open	SPDT	5/8 (15)		0.150	3	30	0.2

Note: Gap will increase twice for installations other than steel

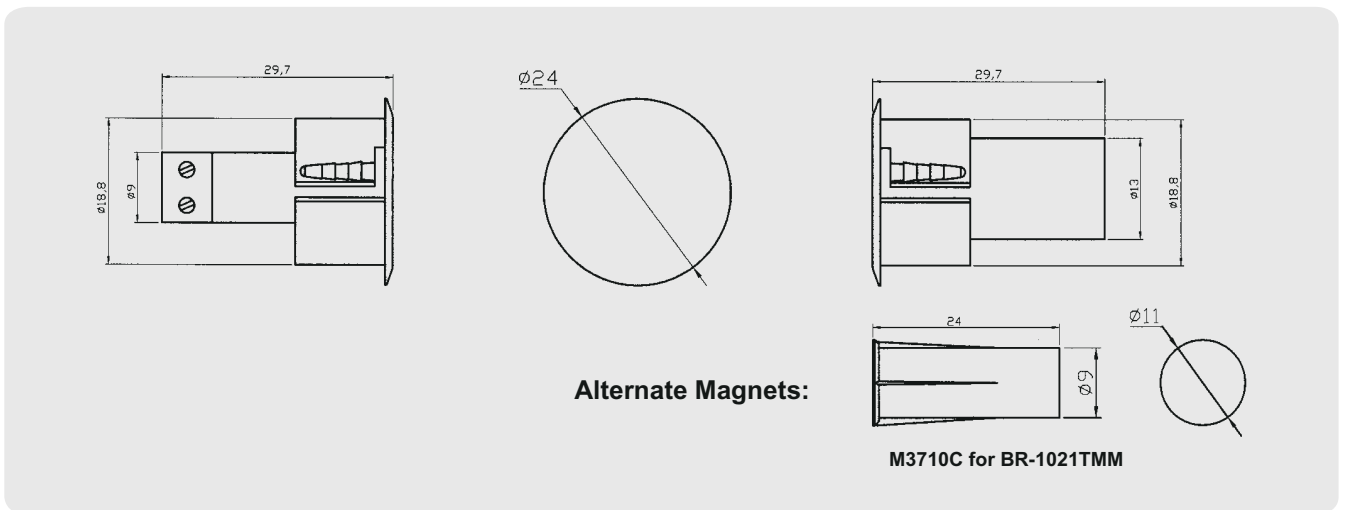
## Specification: **BR-1021T**

- 3/4" diameter press to fit
- Suitable for steel door install
- Self-locking
- Switch and Magnet available separately
- Resistor or Diode available on request
- Colors: White, Brown, Grey

### ••• Recessed Mounted



## Dimension (mm):



## Order Information:

Part Number	Loop Type	Reed Form	Closed Gap (in steel door) [Inch(mm)]	Departure Gap (in steel door) [Inch(mm)]	Maximum Initial Contact Resistance (Ohm)	Maximum Contact Rating (W)	Maximum Switching Voltage (VDC/VAC)	Maximum Switching Current (A)
BR-1021T	Closed	N/O	1/2+ (15)	0.6 (17)	0.150	7.5	100	0.4
BR-1021TMM	Closed	N/O	3/4 (19) (in wood)	0.95 (24)	0.150	7.5	100	0.4
BR-1021TWG	Closed	N/O	3/4 (19)		0.150	7.5	100	0.4
BR-1021TA	Open	N/C	1/2 (13)		0.150	3	30	0.2

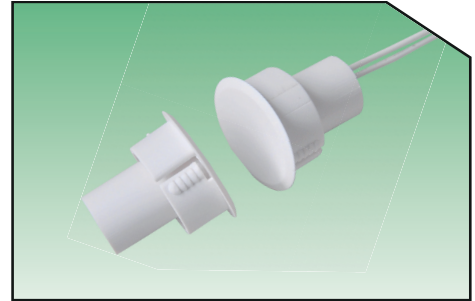


Note: 1. Gap will increase substantially for installations other than steel.  
 2. Wire range for terminals: #20~#24AWG.

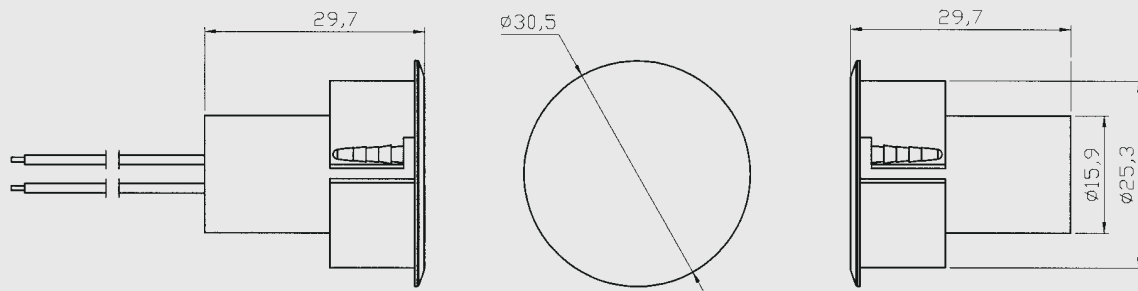
## Specification: BR-1022

- 1" diameter press to fit
- Suitable for steel door install
- Self-locking
- Standard 18" #22AWG leads
- Special leads available
- Switch and Magnet available separately
- Resistor, Diode and Supervisory Loop available on request
- Colors: White, Brown, Grey

## ••• Recessed Mounted



## Dimension (mm):



## Order Information:

Part Number	Loop Type	Reed Form	Closed Gap (in steel door) [Inch(mm)]	Departure Gap (in steel door) [Inch(mm)]	Maximum Initial Contact Resistance (Ohm)	Maximum Contact Rating (W)	Maximum Switching Voltage (VDC/VAC)	Maximum Switching Current (A)
BR-1022	Closed	N/O	0.85 (22)	0.95 (24)	0.150	7.5	100	0.4
BR-1022WG	Closed	N/O	1 (26)	1.1 (28)	0.150	7.5	100	0.4
BR-1022A	Open	N/C	3/4 (19)		0.150	3	30	0.2
BR-1022C	Closed & Open	SPDT	3/4 (19)		0.150	3	30	0.2
BR-1022D	DPDT	2SPDT	3/4 (19)		0.150	3	30	0.2

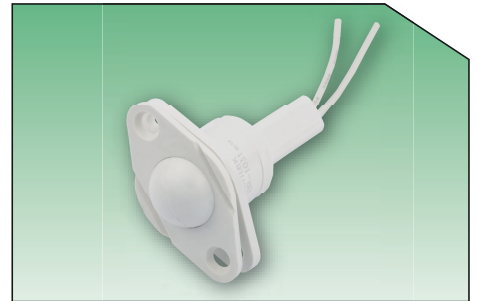
Note: Gap will increase twice for installations other than steel

\* These magnetic contact switches shall be installed so that a door or other movable opening cannot be opened more than 2 inches (51mm) without initiating an alarm. Switches exceeding 2 inches can not be installed per UL681-the Standard for installation and Classification of Burglar and Holdup Alarm

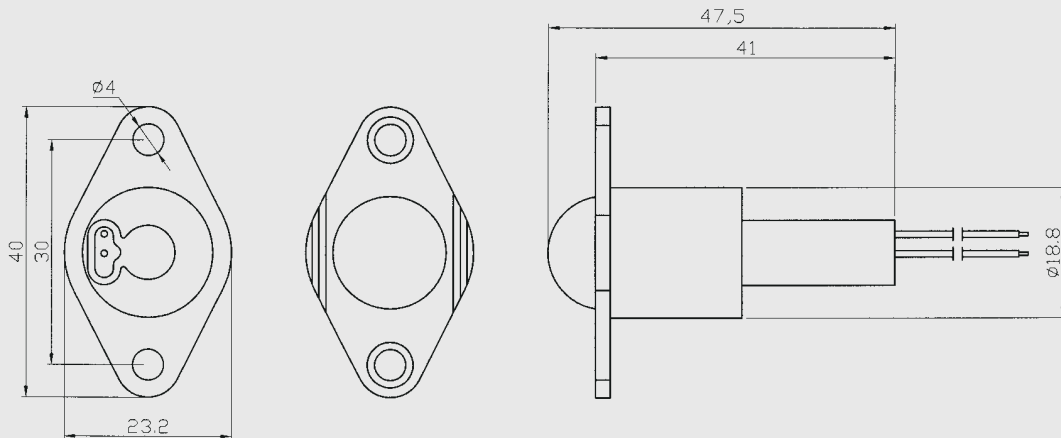
## Specification: **BR-1031**

- Roll plunger flush type
- Work from 360 degree directions
- 3/4" diameter
- Standard 18" #22AWG leads
- Special leads available
- Spacer and screws included
- Resistor, Diode and Supervisory Loop available on request
- Colors: White or Brown

### ••• Roll Ball Switch



## Dimension (mm):



## Order Information:

Part Number	Loop Type	Reed Form	Closed Gap (total travel) [Inch(mm)]	Maximum Initial Contact Resistance (Ohm)	Maximum Contact Rating (W)	Maximum Switching Voltage (VDC/VAC)	Maximum Switching Current (A)
BR-1031	Closed	N/O	1/4 (6)	0.150	10	100	0.5
BR-1031A	Open	N/C	1/4 (6)	0.150	3	30	0.2
BR-1031C	Closed & Open	SPDT	1/4 (6)	0.150	3	30	0.2

Note: Total Travel: .236 inch (6mm)

Pre Travel: .07 +/- .03 inch (1.75 +/- 0.75 mm)

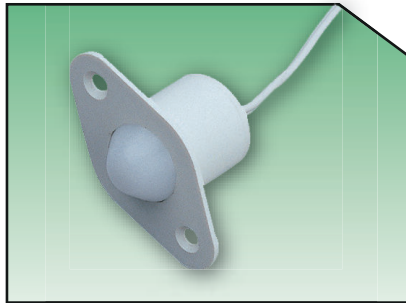


## Specification:

### ... Dome Switch

- Plunger flush type
- 3/4" diameter
- Standard 18" #22AWG leads
- Special leads available
- Spacer and screws included
- Terminal block available
- Colors: White or Brown

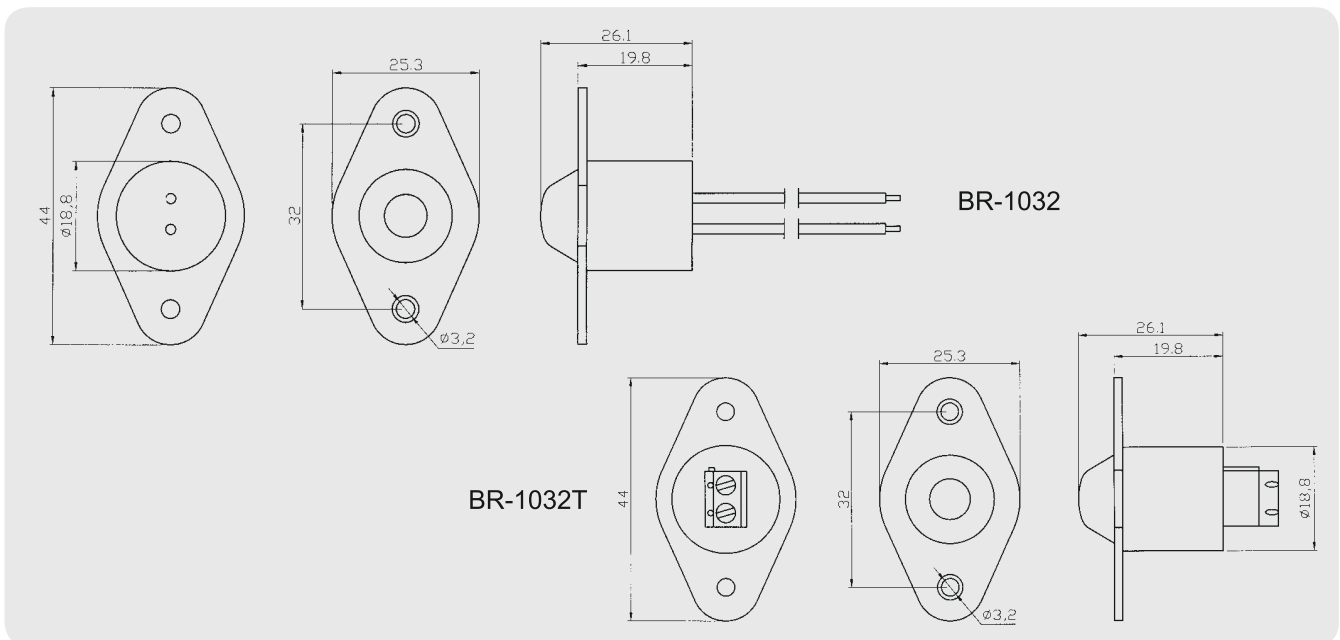
**BR-1032**



**BR-1032T**



## Dimension (mm):



## Order Information:

Part Number	Loop Type	Reed Form	Gap (total travel) [Inch(mm)]	Maximum Initial Contact Resistance (Ohm)	Maximum Contact Rating (W)	Maximum Switching Voltage (VDC/VAC)	Maximum Switching Current (A)
BR-1032	Closed	N/O	1/4 (6)	0.150	10	100	0.5
BR-1032T	Closed	N/O	1/4 (6)	0.150	10	100	0.5

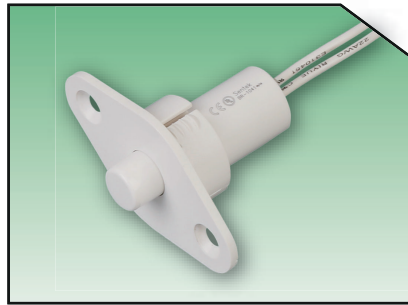
Note: 1. Total Travel: .236 inch (6mm) Pre Travel: .065+/-0.025 inch (1.65+/-0.60 mm)  
 2. Wire range for terminal: #18~#24AWG

## Specification:

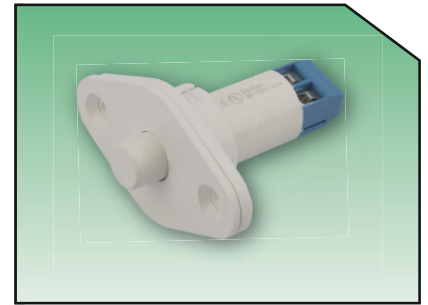
- Push button switch
- 3/4" diameter press to fit
- Self-locking
- Spacer and screws included
- 18" #22AWG leads or screw terminal
- Special leads available
- Colors: White or Brown

## ••• Push Button Switch

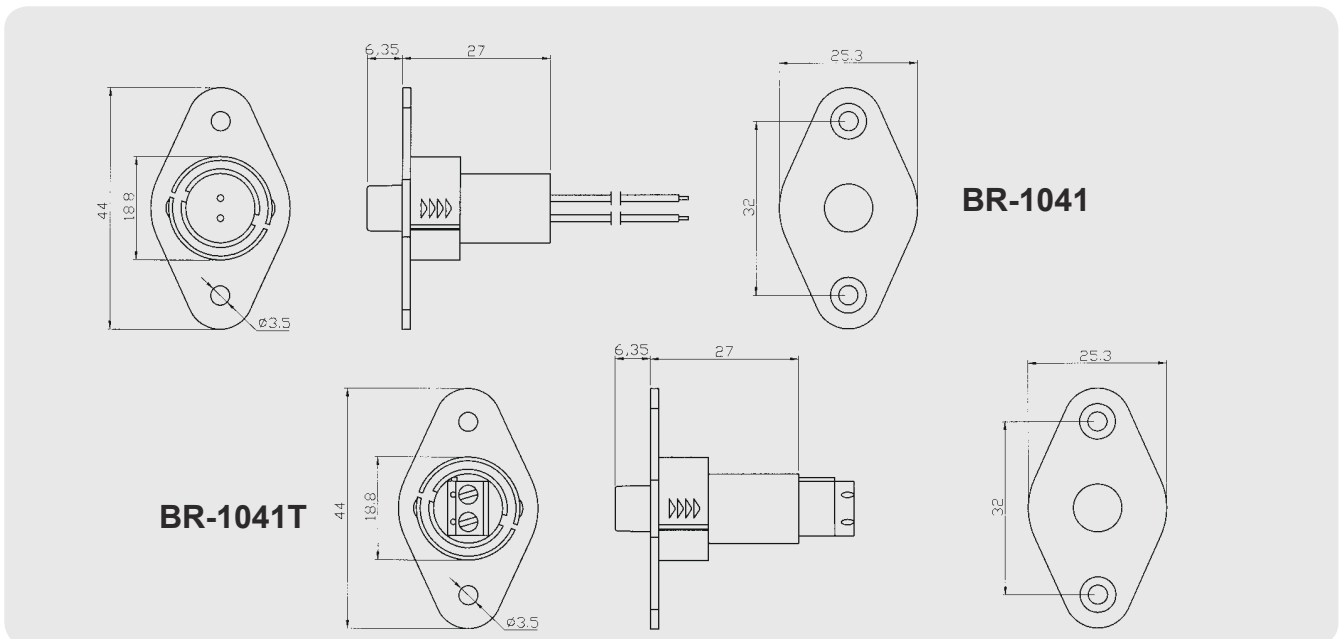
### BR-1041



### BR-1041T



## Dimension (mm):



## Order Information:



Part Number	Loop Type	Reed Form	Gap [Inch(mm)]	Maximum Initial Contact Resistance (Ohm)	Maximum Contact Rating (W)	Maximum Switching Voltage (VDC/VAC)	Maximum Switching Current (A)
BR-1041	Closed	N/O	1/4 (6.3)	0.150	10	100	0.5
BR-1041T	Closed	N/O	1/4 (6.3)	0.150	10	100	0.5
BR-1041A	Open	N/C	1/4 (6.3)	0.150	3	30	0.2
BR-1041C	Open	SPDT	1/4 (6.3)	0.150	3	30	0.2
BR-1041TA	Open	N/C	1/4 (6.3)	0.150	3	30	0.2

Note: 1. Total Travel: .25 inch (6.35mm) Pre Travel: .07+/-0.03 inch (1.75+/-0.75 mm)  
 2. Wire range for terminal: #18~#24AWG

## ... Plunger Switch

### Specification:

- Adjustable screw plunger
- 3/8" diameter press to fit
- Single drink hole
- 18" #22AWG leads or screw terminal
- Special leads available
- Flange style available
- Colors: White, Brown, Grey

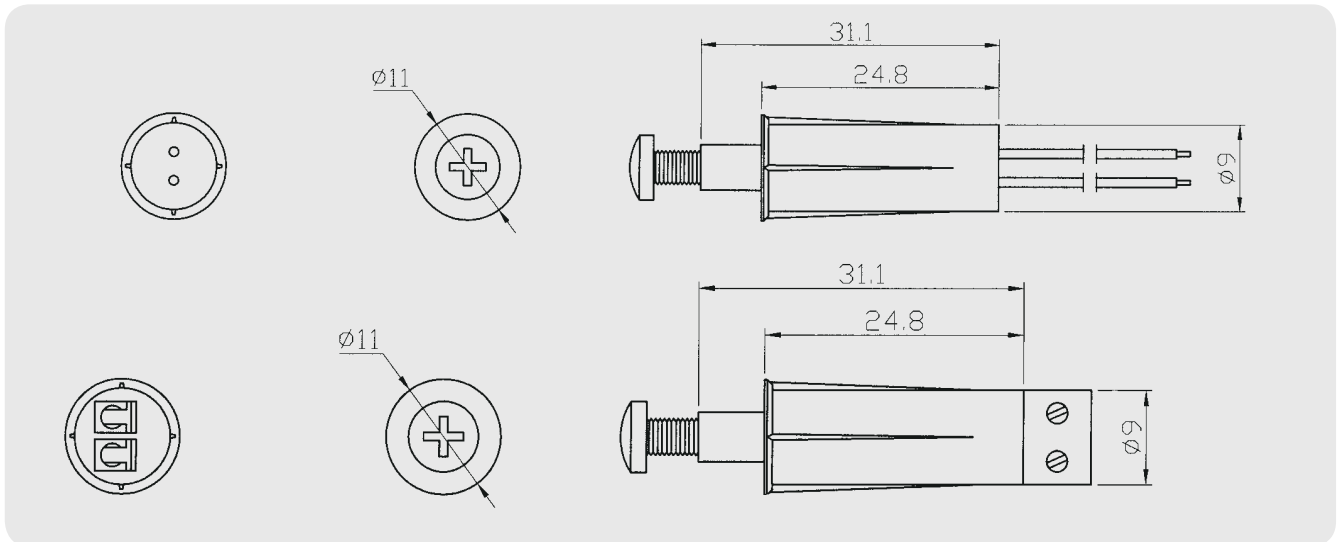
**BR-1051**



**BR-1051T**



### Dimension (mm):



### Order Information:

Part Number	Loop Type	Reed Form	Gap (total travel) [Inch(mm)]	Maximum Initial Contact Resistance (Ohm)	Maximum Contact Rating (W)	Maximum Switching Voltage (VDC/VAC)	Maximum Switching Current (A)
BR-1051	Closed	N/O	1/4 (6.2)	0.150	10	100	0.5
BR-1051T	Closed	N/O	1/4 (6.2)	0.150	10	100	0.5

Note: 1. Total Travel: .244 inch (6.2mm)    Pre Travel: .11+/- .04 inch (2.80+/-1.00mm)  
 2. Wire range for terminal: #20~#24AWG

## ... Plunger Switch

### Specification:

- Adjustable screw plunger w/ flange
- 3/8" diameter press to fit
- Single drink hole
- 18" #22AWG leads or screw terminal
- Special leads available
- Screws included
- Colors: White, Brown, Grey

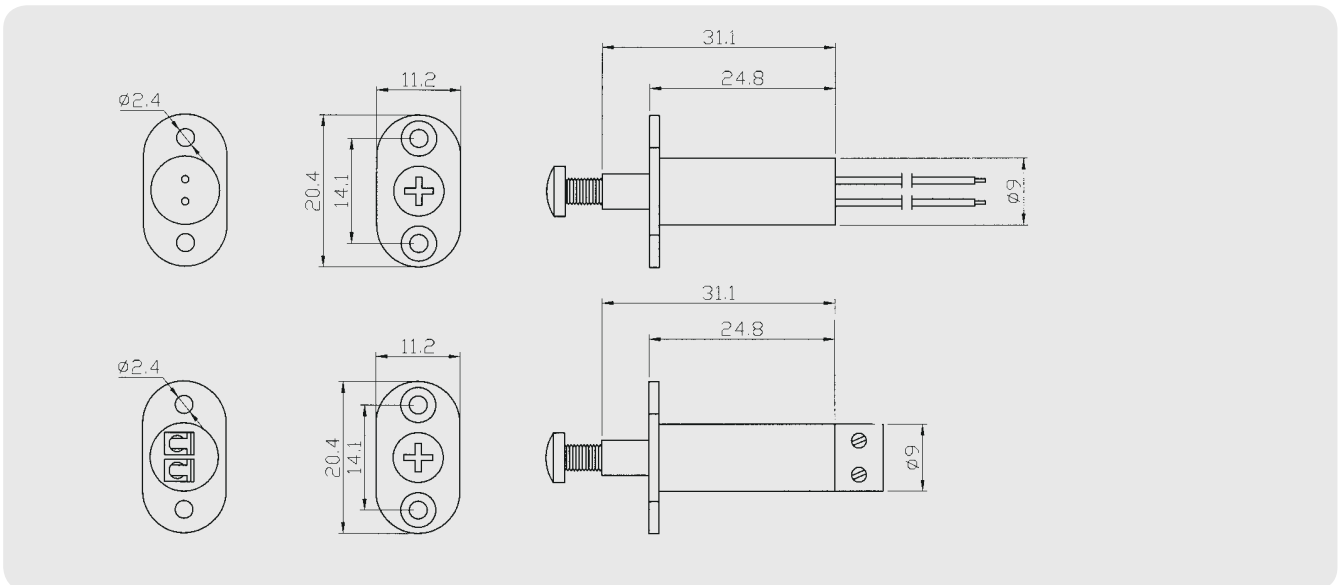
**BR-1051F**



**BR-1051FT**



### Dimension (mm):



### Order Information:

Part Number	Loop Type	Reed Form	Gap [Inch(mm)]	Maximum Initial Contact Resistance (Ohm)	Maximum Contact Rating (W)	Maximum Switching Voltage (VDC/VAC)	Maximum Switching Current (A)
BR-1051F	Closed	N/O	1/4 (6.2)	0.150	10	100	0.5
BR-1051FT	Closed	N/O	1/4 (6.2)	0.150	10	100	0.5

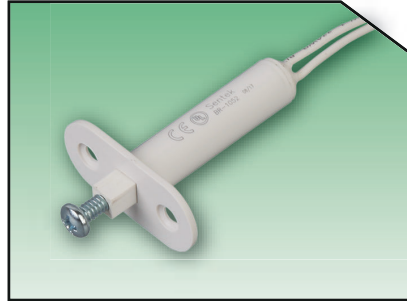
Note: 1. Total Travel: .244 inch (6.2mm) Pre Travel: .11 +/- .04 inch (2.80 +/- 1.00mm)  
 2. Wire range for terminal: #20~#24AWG

## ... Tamper/Plunger Switch

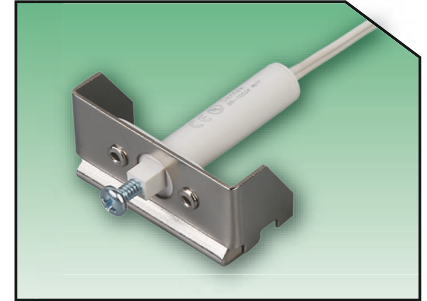
### Specification:

- Adjustable Plunger from 1/4" to 1/2"
- Single drink hole
- 18" #22AWG leads
- Longer leads available
- Supervisory Loops Available
- Screws included
- Colors: White, Brown, Grey

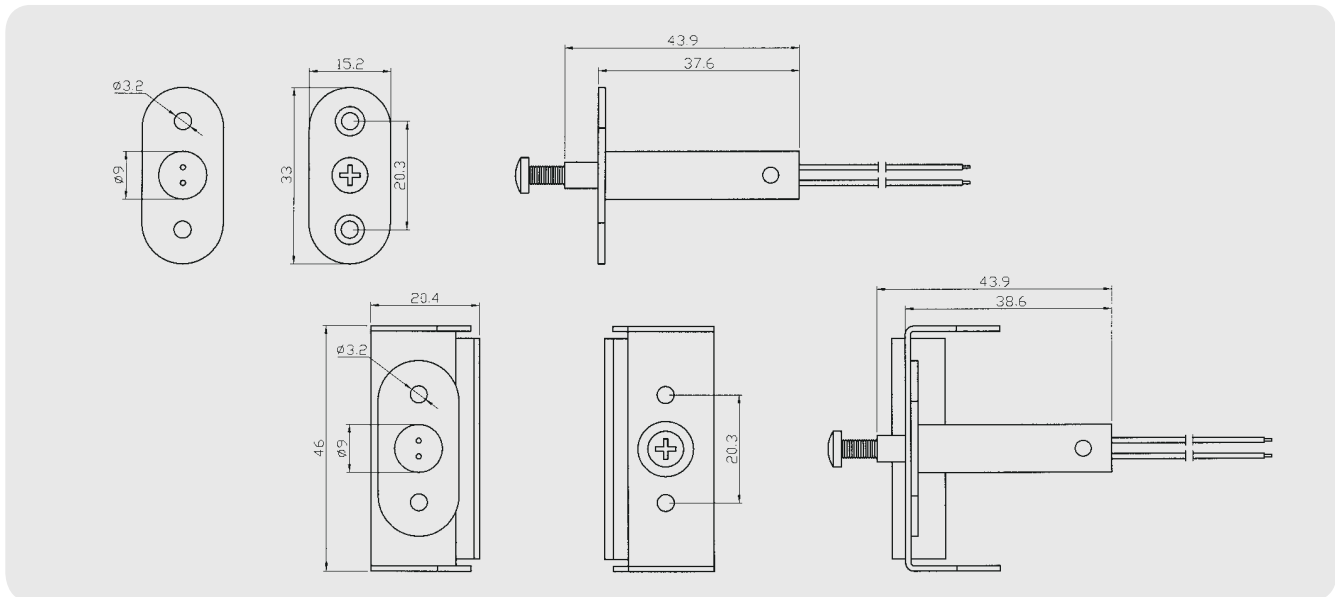
**BR-1052**



**BR-1052K**



### Dimension (mm):



### Order Information:

Part Number	Loop Type	Reed Form	Gap [Inch(mm)]	Maximum Initial Contact Resistance (Ohm)	Maximum Contact Rating (W)	Maximum Switching Voltage (VDC/VAC)	Maximum Switching Current (A)
BR-1052	Closed	N/O	1/4 (6.35)	0.150	10	100	0.5
BR-1052K	Closed	N/O	1/4 (6.35)	0.150	10	100	0.5
BR-1052A	Open	N/C	1/4 (6.35)	0.150	3	30	0.2



Note: Total Travel: .25 inch (6.35mm)

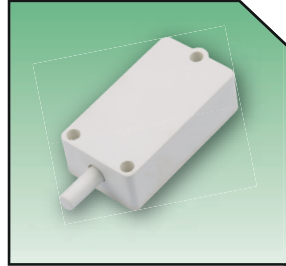
Pre Travel: .11 +/- .04 inch (2.80 +/- 1.00mm)

## ... Tamper/Plunger Switch

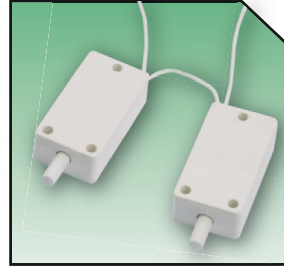
### Specification:

- Tamper switch
- For drawers and control panel application
- Made by reed switch for reliable
- High-impact white plastic case
- Wire range for Screw terminals: 18AWG~24AWG
- Colors: White

**TS-01**



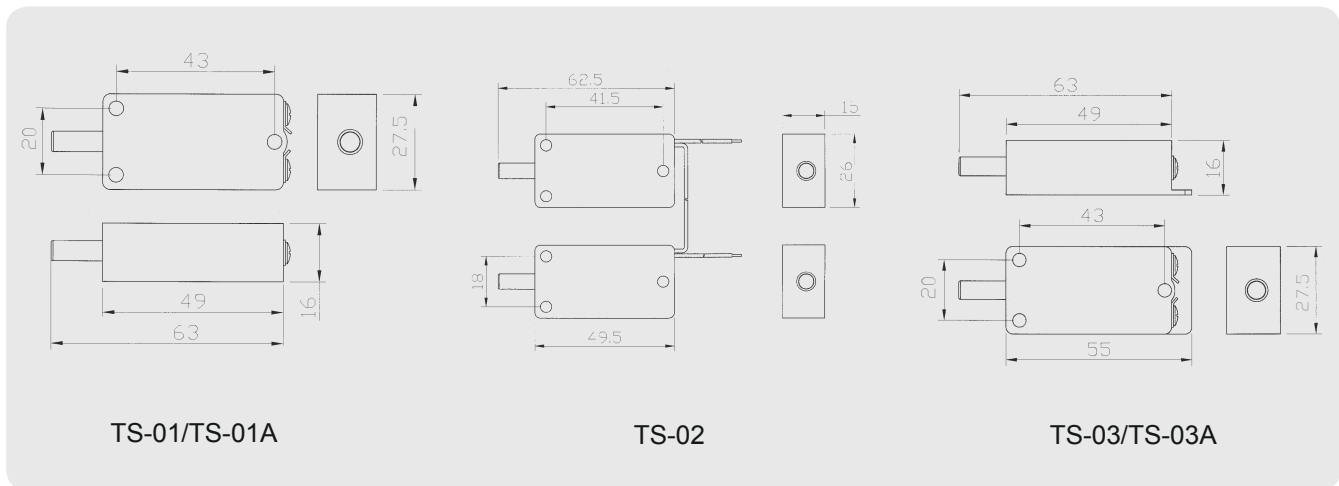
**TS-02**



**TS-03**



### Dimension (mm):



### Order Information:

Part Number	Loop Type	Reed Form	Gap (total travel) [Inch(mm)]	Maximum Initial Contact Resistance (Ohm)	Maximum Contact Rating (W)	Maximum Switching Voltage (VDC/VAC)	Maximum Switching Current (A)
TS-01	Closed	N/O	0.35 (8.9)	0.150	10	100	0.5
TA-01A	Open	N/C	0.39 (9.9)	0.150	10	100	0.5
TS-02	Closed	N/O	0.39 (9.9)	0.150	10	100	0.5
TS-03	Closed	N/O	0.33 (8.4)	0.150	10	100	0.5
TS-03A	Open	N/C	0.39 (9.9)	0.150	10	100	0.5

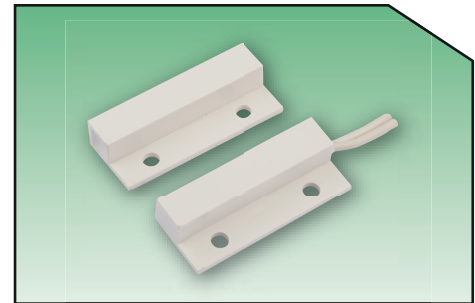
Note: 1. Total Travel: .472 inch (12.0mm) Pre Travel: .236+/-0.04 inch (6.00+/-1.00mm)

2. Wire range for terminals: #18~#24AWG

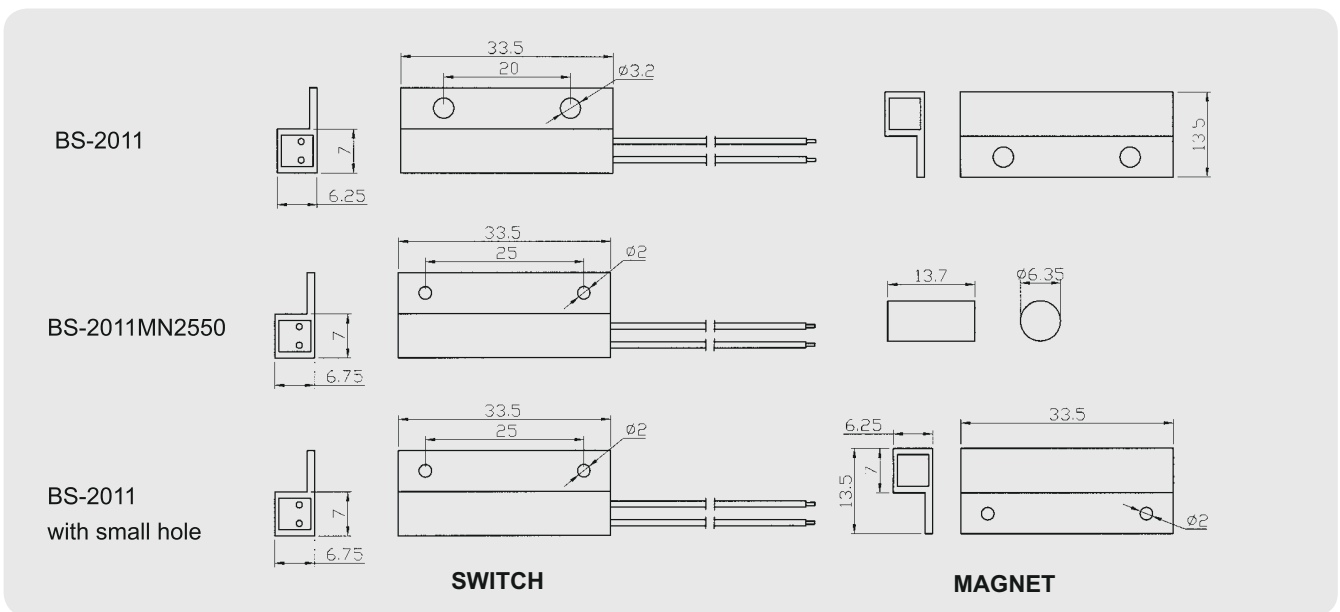
## Specification: **BS-2011**

- Mini Stick-on contact with flang
- Side leads with #22AWG 18" length
- Adhesive and screw mount included
- Special leads on request
- Switches or magnets available seperately
- Resistor, Diode and Supervisory Loop available on request
- Colors: White, Brown, Grey
- Without Flange (BS-2051)

### ••• Surface Mounted



## Dimension (mm):



## Order Information:

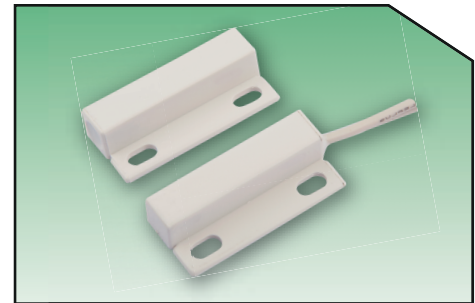


Part Number	Loop Type	Reed Form	Closed Gap [Inch(mm)]	Depature Gap [Inch(mm)]	Maximum Initial Contact Resistance (Ohm)	Maximum Contact Rating (W)	Maximum Switching Voltage (VDC/VAC)	Maximum Switching Current (A)
BS-2011	Closed	N/O	1(25)	1.06 (27)	0.150	10	100	0.5
BS-2011MN2550	Closed	N/O	1(25)	1.1 (28)	0.150	10	100	0.5
BS-2011WG	Closed	N/O	1 <sup>1</sup> / <sub>4</sub> (31)		0.150	10	100	0.5
BS-2011A	Open	N/C	1(24)		0.150	3	30	0.2
BS-2011C	Closed & Open	SPDT	1(24)		0.150	3	30	0.2

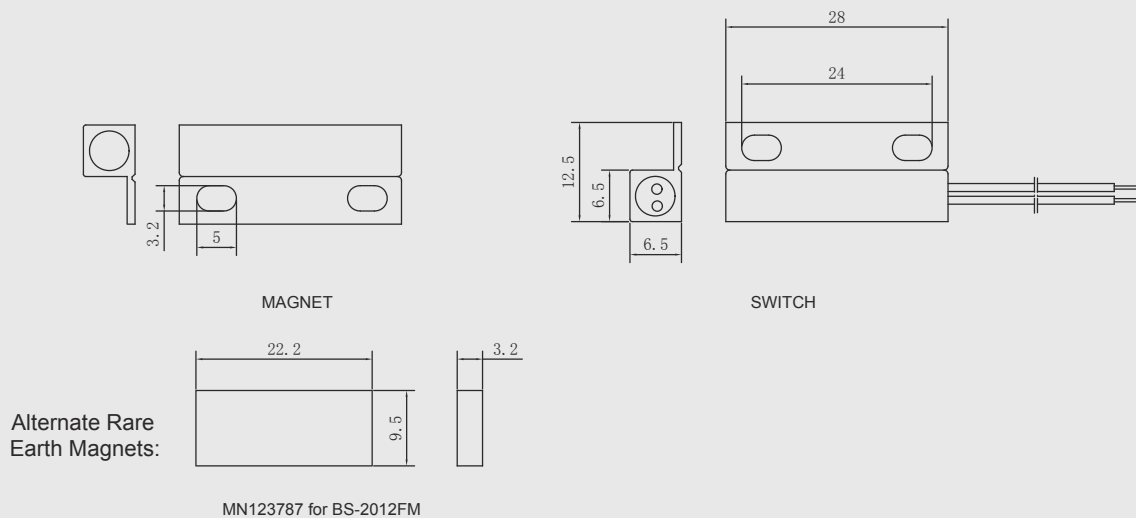
## Specification: **BS-2012**

- Mini Stick-on contact with flang
- Side leads with #22AWG 18" length
- Adhesive and screw mount included
- Special leads on request
- Switches or magnets available seperately
- Resistor, Diode and Supervisory Loop available on request
- Colors: White, Brown, Grey

### ••• Surface Mounted



## Dimension (mm):



## Order Information:



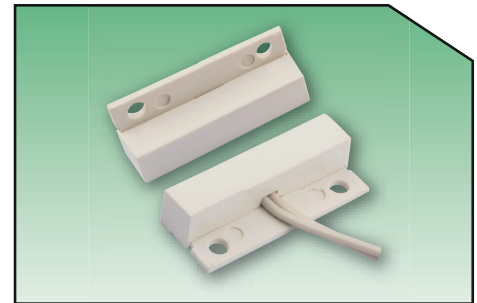
Part Number	Loop Type	Reed Form	Closed Gap [Inch(mm)]	Depature Gap [Inch(mm)]	Maximum Initial Contact Resistance (Ohm)	Maximum Contact Rating (W)	Maximum Switching Voltage (VDC/VAC)	Maximum Switching Current (A)
BS-2012	Closed	N/O	1(24)	1.15 (29)	0.150	10	100	0.5
BS-2012FM	Closed	N/O	1(25)	1.1 (28)	0.150	10	100	0.5
BS-2012A	Open	N/C	3/4(19)		0.150	3	30	0.2
BS-2012C	Closed & Open	SPDT	3/4(19)		0.150	3	30	0.2



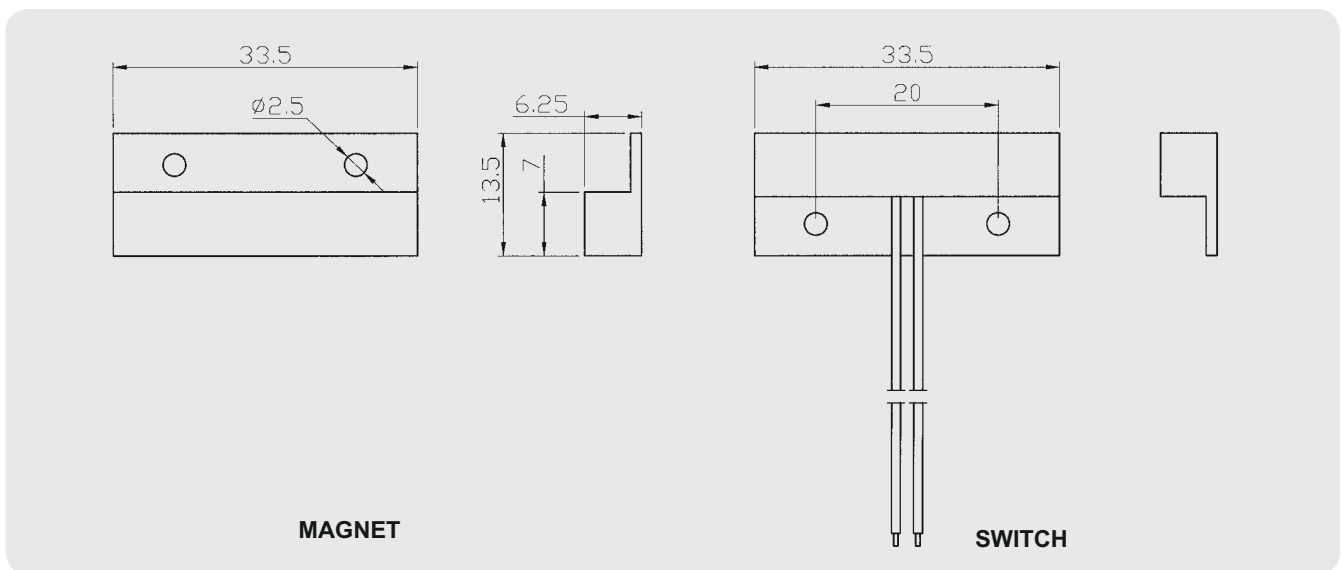
## Specification: **BS-2021**

- Mini Stick-on contact with flange
- Center leads with #22AWG 18" length
- Adhesive and screw mount included
- Longer leads on request
- Switches or magnets available seperately
- Resistor, Diode and Supervisory Loop available on request
- Colors: White, Brown, Grey
- Without Flange (BS-2024)

### ••• Surface Mounted



## Dimension (mm):



**MAGNET**

**SWITCH**

## Order Information:

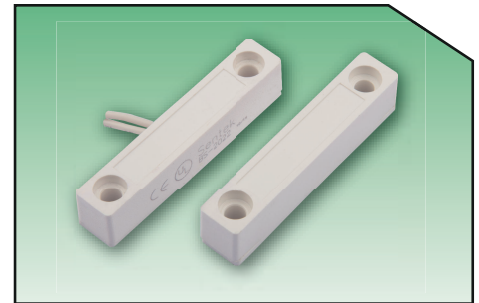


Part Number	Loop Type	Reed Form	Closed Gap [Inch(mm)]	Depature Gap [Inch(mm)]	Maximum Initial Contact Resistance (Ohm)	Maximum Contact Rating (W)	Maximum Switching Voltage (VDC/VAC)	Maximum Switching Current (A)
BS-2021	Closed	N/O	0.94(24)	1.02 (26)	0.150	10	100	0.5
BS-2021A	Open	N/C	1(24)		0.150	3	30	0.2
BS-2021C	Closed & Open	SPDT	1(24)		0.150	3	30	0.2

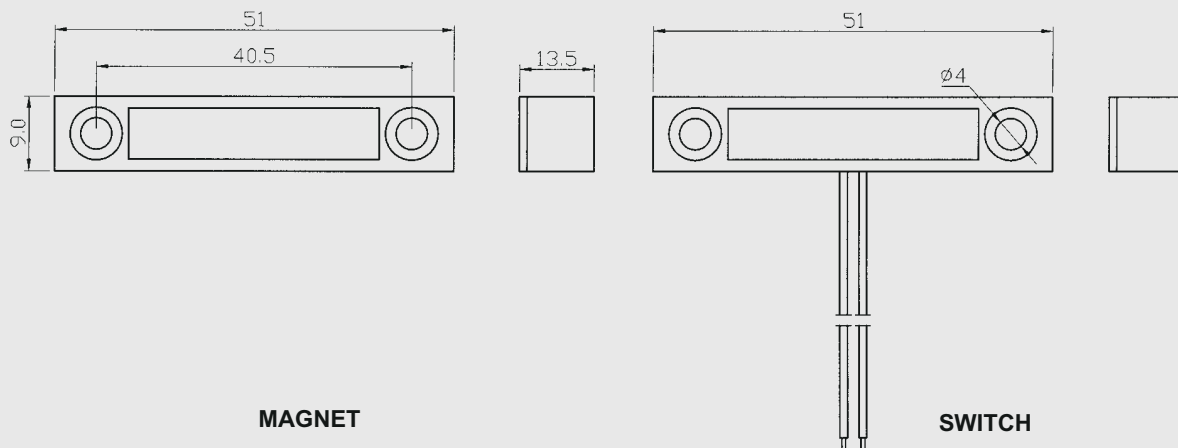
## Specification: **BS-2022**

- Screw mount or self adhesive
- Center leads with #22AWG 18" length
- Special leads on request
- Spacer, Cover or Tape available on request
- Switches or magnets available seperately
- Resistor, Diode and Supervisory Loop available on request
- Colors: White, Brown, Grey

### ••• Surface Mounted



## Dimension (mm):



## Order Information:

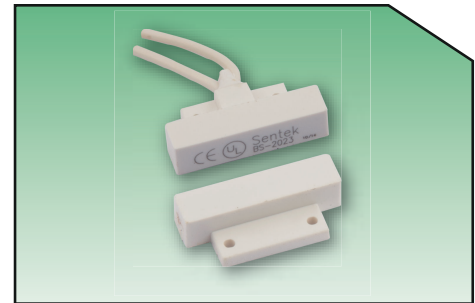


Part Number	Loop Type	Reed Form	Closed Gap [Inch(mm)]	Depature Gap [Inch(mm)]	Maximum Initial Contact Resistance (Ohm)	Maximum Contact Rating (W)	Maximum Switching Voltage (VDC/VAC)	Maximum Switching Current (A)
BS-2022	Closed	N/O	1.18(30)	1.3 (33)	0.150	10	100	0.5
BS-2022WG	Closed	N/O	1.45(37)	1.53 (39)	0.150	10	100	0.5
BS-2022A	Open	N/C	1 <sup>1</sup> / <sub>8</sub> (28)		0.150	3	30	0.2
BS-2022C	Closed & Open	SPDT	1 <sup>1</sup> / <sub>8</sub> (28)		0.150	3	30	0.2

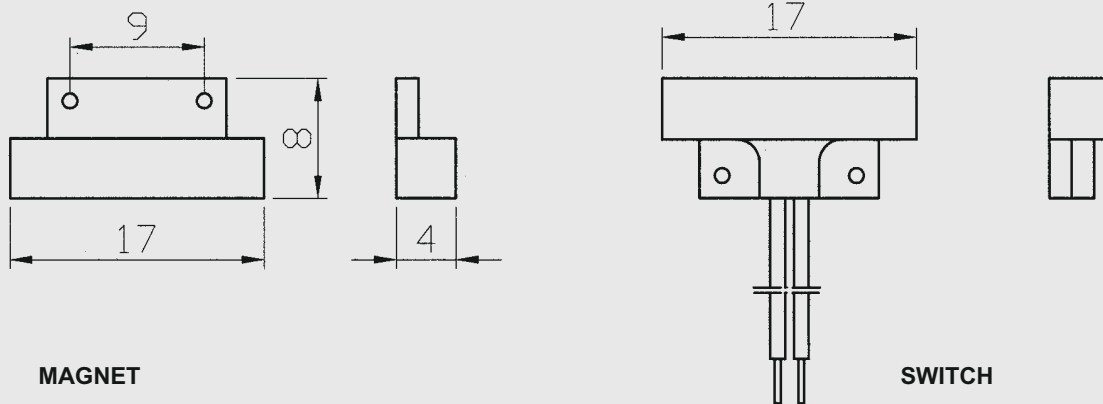
## Specification: **BS-2023**

- Ultra miniature switch
- Super tape included
- Center leads with #24AWG 18" length
- Longer leads on request
- Switches or magnets available seperately
- Colors: Brown, Grey, White

### ••• Surface Mounted



## Dimension (mm):



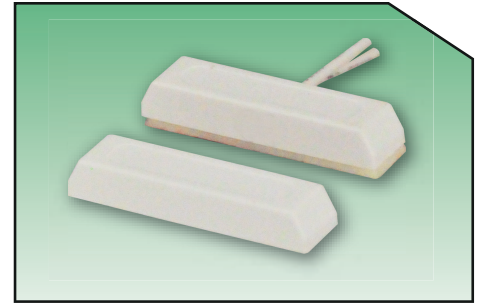
## Order Information:

Part Number	Loop Type	Reed Form	Closed Gap [Inch(mm)]	Departure Gap [Inch(mm)]	Maximum Initial Contact Resistance (Ohm)	Maximum Contact Rating (W)	Maximum Switching Voltage (VDC/VAC)	Maximum Switching Current (A)
BS-2023	Closed	N/O	0.45(12)	0.5 (13)	0.150	10	100	0.5

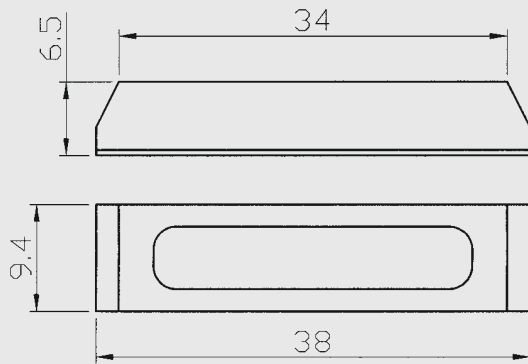
## Specification: **BS-2024**

- Surface mounted contact without flange
- Center leads with #22AWG 18" length
- Super adhesive: VHB tape
- Special leads on request
- Switches or magnets available seperately
- Resistor, Diode and Supervisory Loop available on request
- Colors: White, Brown, Grey

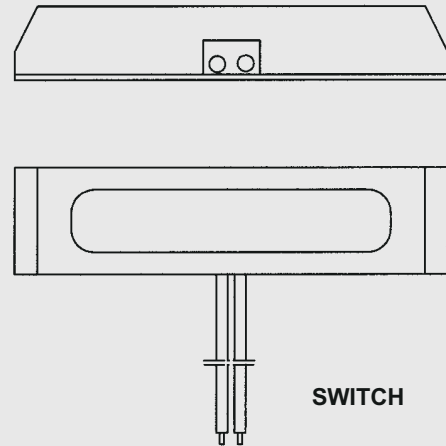
### ••• Surface Mounted



## Dimension (mm):



**MAGNET**



**SWITCH**

## Order Information:

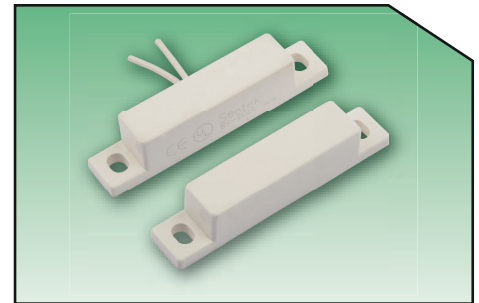


Part Number	Loop Type	Reed Form	Closed Gap [Inch(mm)]	Depature Gap [Inch(mm)]	Maximum Initial Contact Resistance (Ohm)	Maximum Contact Rating (W)	Maximum Switching Voltage (VDC/VAC)	Maximum Switching Current (A)
BS-2024	Closed	N/O	0.95(24)	1.05 (26)	0.150	10	100	0.5
BS-2024A	Open	N/C	0.9(22)		0.150	3	30	0.2
BS-2024C	Closed & Open	SPDT	0.9(22)		0.150	3	30	0.2

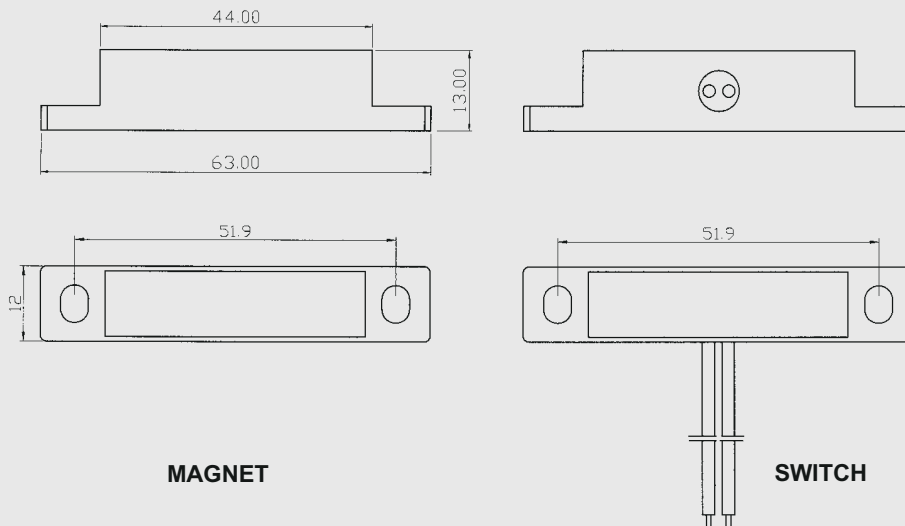
## Specification: **BS-2025**

- Surface mounted contact
- Center leads with #22AWG 18" length
- Screw mount
- Special leads on request
- Switches or magnets available seperately
- Resistor, Diode and Supervisory Loop available on request
- Colors: White, Brown, Grey

### ••• Surface Mounted



## Dimension (mm):



## Order Information:

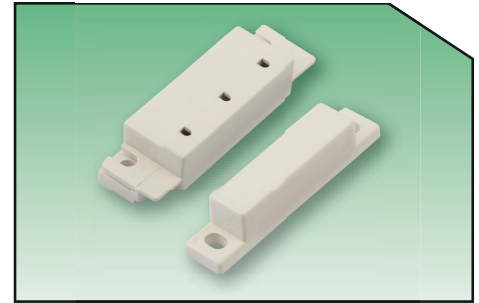


Part Number	Loop Type	Reed Form	Closed Gap [Inch(mm)]	Depature Gap [Inch(mm)]	Maximum Initial Contact Resistance (Ohm)	Maximum Contact Rating (W)	Maximum Switching Voltage (VDC/VAC)	Maximum Switching Current (A)
BS-2025	Closed	N/O	1 <sup>1</sup> / <sub>4</sub> (31)	1.38 (34)	0.150	10	100	0.5
BS-2025A	Open	N/C	1(25)		0.150	3	30	0.2
BS-2025C	Closed & Open	SPDT	1(25)		0.150	3	30	0.2

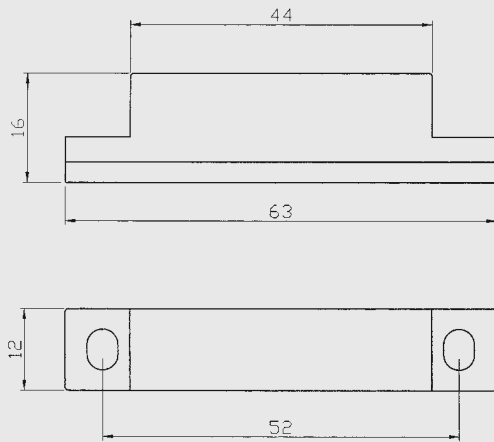
## Specification: **BS-2031**

- Screw mount Concealed terminals
- Spacers, cover and screws included
- Switches or magnets available separately
- Resistor, Diode and Supervisory Loop available on request
- With lead available: BS-2025
- Colors: White, Brown, Grey

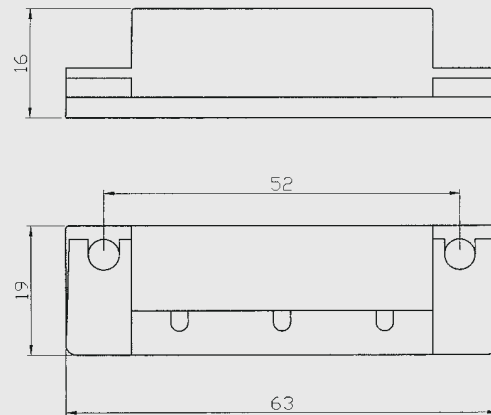
### ••• Surface Mounted



## Dimension (mm):



**MAGNET**



**SWITCH**

## Order Information:

Part Number	Loop Type	Reed Form	Closed Gap [Inch(mm)]	Departure Gap [Inch(mm)]	Maximum Initial Contact Resistance (Ohm)	Maximum Contact Rating (W)	Maximum Switching Voltage (VDC/VAC)	Maximum Switching Current (A)
BS-2031	Closed	N/O	1.1(28)	1.3 (33)	0.150	10	100	0.5
BS-2031A	Open	N/C	1(25)		0.150	3	30	0.2
BS-2031C	Closed	SPDT	1(25)		0.150	3	30	0.2



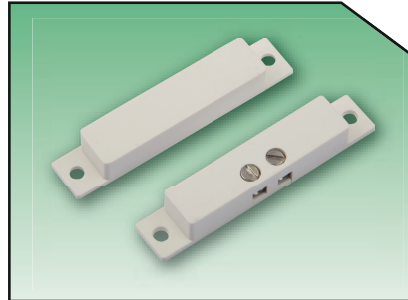
Note: Wire range for terminal: #18~#24AWG

... Surface Mounted

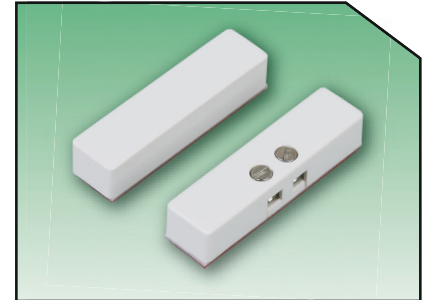
## Specification:

- Quick connect terminal block
- Adhesive and screws mount
- Breakaway flange
- Easy installation
- Switches or magnets available separately
- Colors: White, Brown, Grey
- Without tabs on side (BS-2032OT)

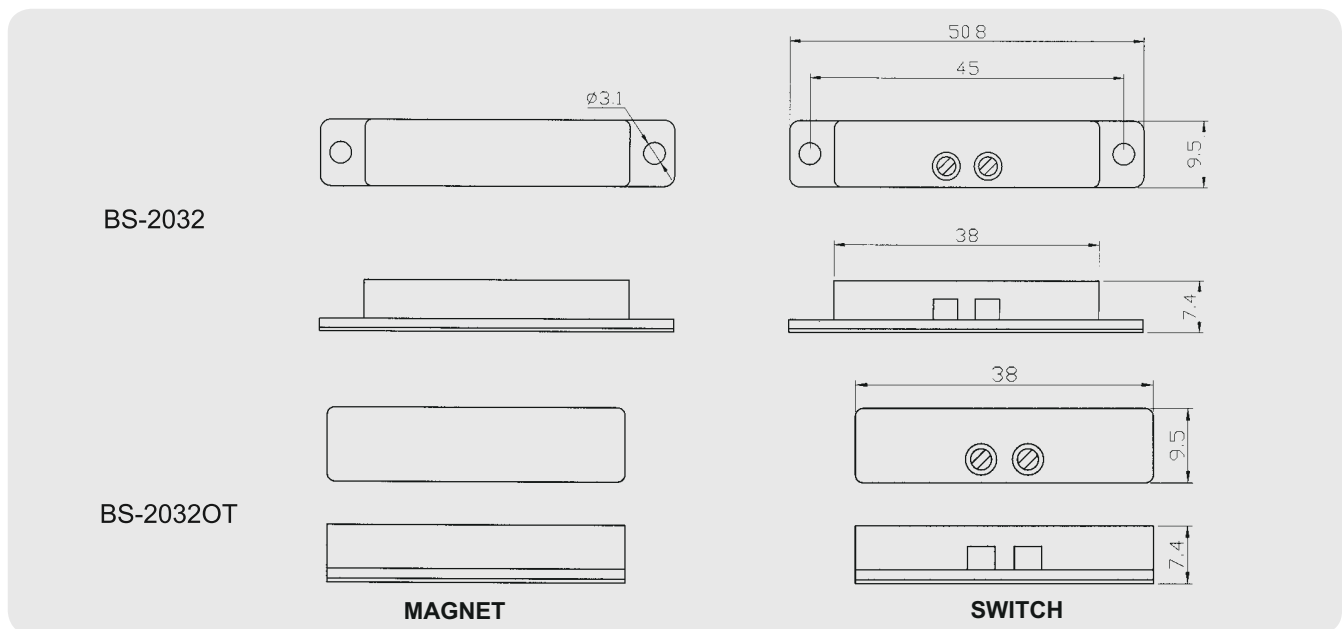
**BS-2032**



**BS-2032OT**



## Dimension (mm):



## Order Information:

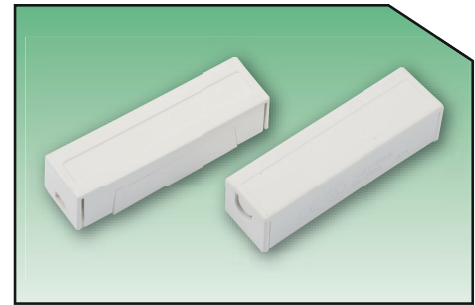
Part Number	Loop Type	Reed Form	Closed Gap [Inch(mm)]	Departure Gap [Inch(mm)]	Maximum Initial Contact Resistance (Ohm)	Maximum Contact Rating (W)	Maximum Switching Voltage (VDC/VAC)	Maximum Switching Current (A)
BS-2032(OT)	Closed	N/O	0.95(24)	1.06 (27)	0.150	10	100	0.5
BS-2032A(OT)	Open	N/C	0.8(20)		0.150	3	30	0.2

Note: 1. Wide gap 1 1/4" available      2. Wire range for terminal: #20~#24AWG

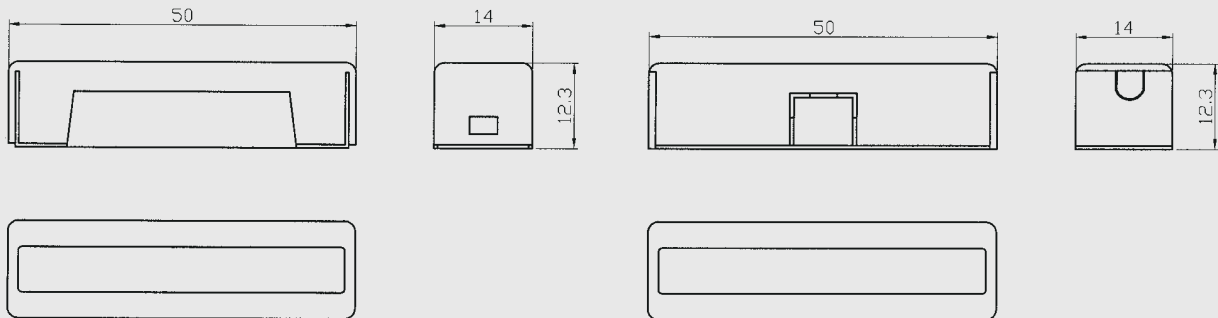
## Specification: **BS-2033**

- Screw mount
- Attractive cover keeps mounting screws and terminal screws hidden
- Concealed or surface wiring
- Switches or magnets available separately
- Colors: White, Brown, Grey

### ••• Surface Mounted



## Dimension (mm):



**MAGNET**

**SWITCH**

## Order Information:



Part Number	Loop Type	Reed Form	Closed Gap [Inch(mm)]	Depature Gap [Inch(mm)]	Maximum Initial Contact Resistance (Ohm)	Maximum Contact Rating (W)	Maximum Switching Voltage (VDC/VAC)	Maximum Switching Current (A)
BS-2033	Closed	N/O	1.2(29)	1.4 (36)	0.150	10	100	0.5
BS-2033A	Open	N/C	1(25)		0.150	3	30	0.2
BS-2033C	Closed & Open	SPDT	1(25)		0.150	3	30	0.2

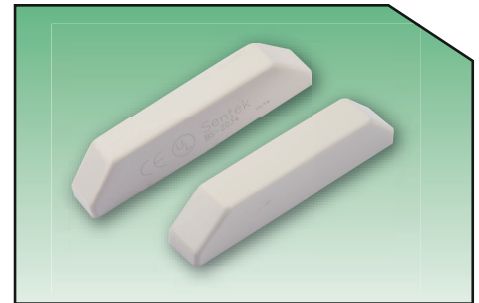
Note: Wire range for terminal: #20~#24AWG



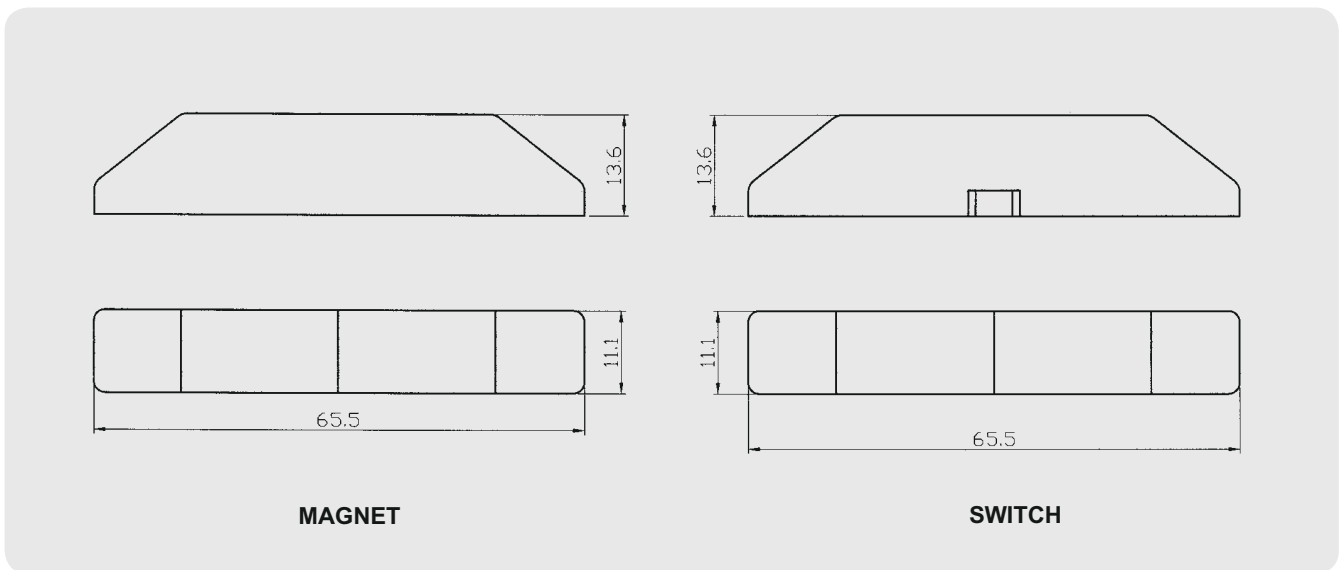
## Specification: **BS-2034**

- Screw mount
- Attractive cover keeps mounting screws and terminal screws hidden
- Concealed or surface wiring
- Switches or magnets available separately
- Colors: White, Brown, Grey

### ••• Surface Mounted



## Dimension (mm):



## Order Information:



Part Number	Loop Type	Reed Form	Closed Gap [Inch(mm)]	Departure Gap [Inch(mm)]	Maximum Initial Contact Resistance (Ohm)	Maximum Contact Rating (W)	Maximum Switching Voltage (VDC/VAC)	Maximum Switching Current (A)
BS-2034	Closed	N/O	1(25)	1.2 (30)	0.150	10	100	0.5
BS-2034WG	Closed	N/O	1 <sup>1</sup> / <sub>4</sub> (31)		0.150	10	100	0.5
BS-2034A	Open	N/C	<sup>3</sup> / <sub>4</sub> (19)		0.150	3	30	0.2

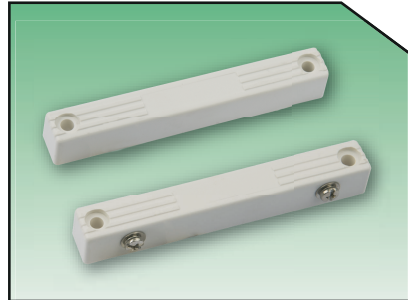
Note: Wire range for terminal: #20~#24AWG

... Surface Mounted

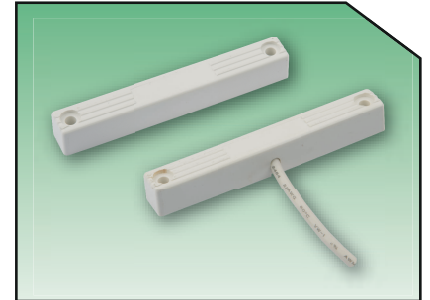
## Specification:

- Idea for Industrial or Commercial use
- Screw mount
- Spacer included
- 2 conductor jacket cable on request (BSI-2041P)
- BSI-2041P available with supervisory loop
- Private label on request
- BK03 bracket is available
- Switches or magnets are available separately
- Colors: White, Brown, Grey

### BSI-2041

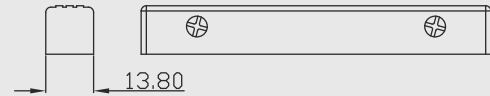
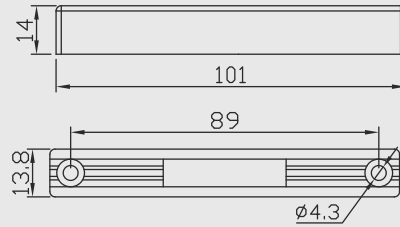


### BSI-2041P

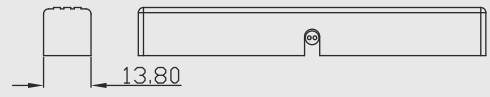
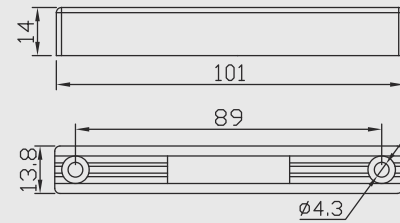


## Dimension (mm):

### BSI-2041



### BSI-2041P



MAGNET

SWITCH

## Order Information:

Part Number	Loop Type	Reed Form	Closed Gap [Inch(mm)]	Depature Gap [Inch(mm)]	Maximum Initial Contact Resistance (Ohm)	Maximum Contact Rating (W)	Maximum Switching Voltage (VDC/VAC)	Maximum Switching Current (A)
BSI-2041(P)	Closed	N/O	2½(65)	2.75 (70)	0.150	10	100	0.5
BSI-2041A(P)	Open	N/C	2(50)		0.150	3	30	0.2
BSI-2041PC	Closed & Open	SPDT	2(50)		0.150	3	30	0.2

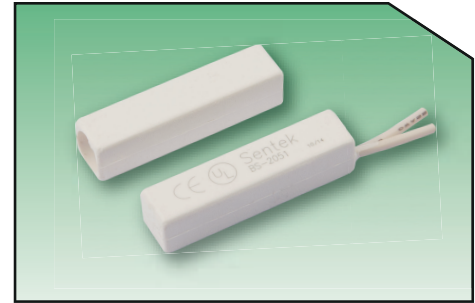
Note: Wire range for terminal: #18~#24AWG

\* These magnetic contact switches shall be installed so that a door or other movable opening cannot be opened more than 2 inches (51mm) without initiating an alarm. Switches exceeding 2 inches can not be installed per UL681-the Standard for installation and Classification of Burglar and Holdup Alarm

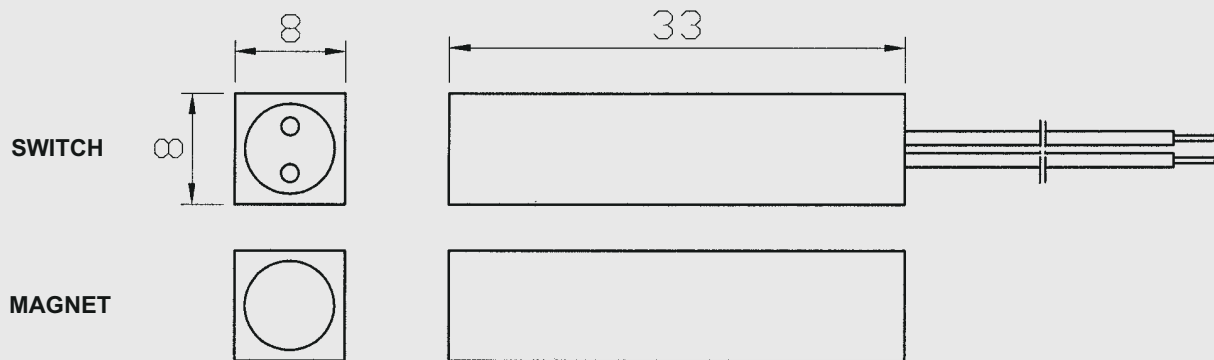
## Specification: **BS-2051**

- Stick surface mount
- Super special adhesive
- Standard 18" #22AWG leads
- Speical leads available
- Resistor, Diode and Supervisory Loop available on request
- Colors: White, Brown, Grey

### ••• Surface Mounted



## Dimension (mm):



## Order Information:

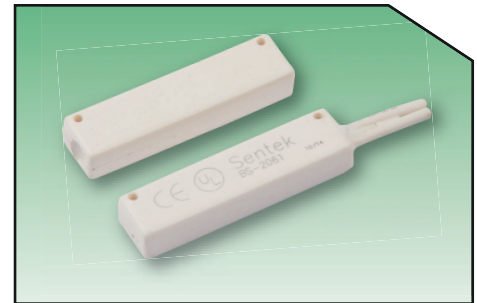


Part Number	Loop Type	Reed Form	Closed Gap [Inch(mm)]	Depature Gap [Inch(mm)]	Maximum Initial Contact Resistance (Ohm)	Maximum Contact Rating (W)	Maximum Switching Voltage (VDC/VAC)	Maximum Switching Current (A)
BS-2051	Closed	N/O	1(25)	1.07 (27)	0.150	10	100	0.5
BS-2051A	Open	N/C	3/4(20)		0.150	3	30	0.2
BS-2051C	Closed & Open	SPDT	3/4(20)		0.150	3	30	0.2

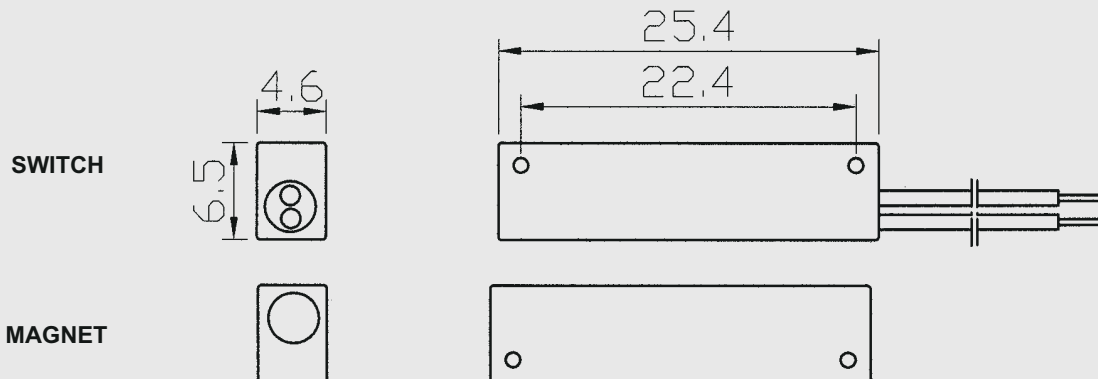
## Specification: **BS-2061**

- Super stick miniature switch
- Super special adhesive or nails for mounting
- Standard 18" #22AWG leads
- Longer leads available
- Switches or magnets are available separately
- Colors: White, Brown, Grey

### ••• Surface Mounted



## Dimension (mm):



## Order Information:

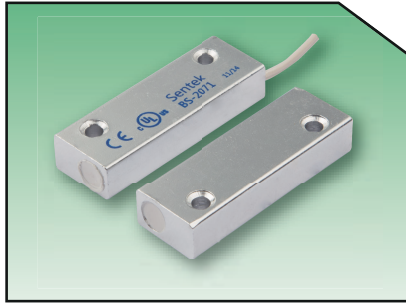
Part Number	Loop Type	Reed Form	Closed Gap [Inch(mm)]	Depature Gap [Inch(mm)]	Maximum Initial Contact Resistance (Ohm)	Maximum Contact Rating (W)	Maximum Switching Voltage (VDC/VAC)	Maximum Switching Current (A)
BS-2061	Closed	N/O	0.47(12)	0.51(13)	0.150	10	100	0.5

## Specification:

- Metal magnetic contacts
- Ideal for commercial application or industrial use
- Screws included
- Standard 18" #22AWG leads
- 2 Conductor jacket cable on request (BS-2071J)
- Armored cable on request (BS-2071AR)
- Longer leads available
- Resistor, Diode and Supervisory Loop available on request

## ••• Surface Mounted

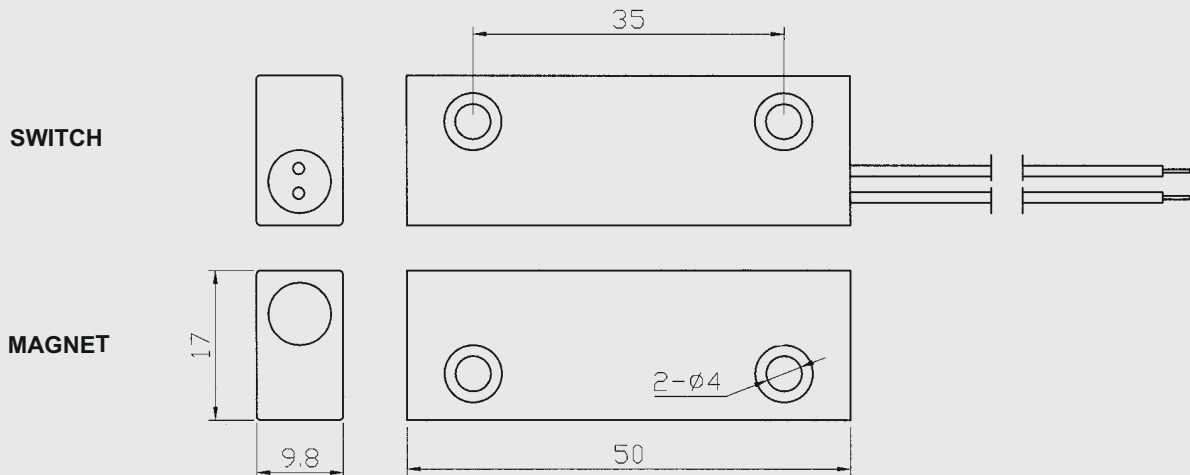
### BS-2071



### BS-2071AR



## Dimension (mm):



## Order Information:

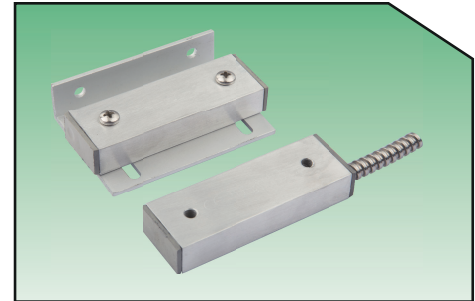


Part Number	Loop Type	Reed Form	Closed Gap [Inch(mm)]	Departure Gap [Inch(mm)]	Maximum Initial Contact Resistance (Ohm)	Maximum Contact Rating (W)	Maximum Switching Voltage (VDC/VAC)	Maximum Switching Current (A)
BS-2071(AR)	Closed	N/O	1.5 (38)	1.65 (42)	0.150	7.5	100	0.4
BS-2071A(AR)	Open	N/C	1 1/4 (31)		0.150	30	30	0.2
BS-2071C(AR)	Closed & Open	SPDT	1 1/4 (31)		0.150	30	30	0.2
BS-2071D(AR)	DPDT	2SPDT	1 1/4 (31)		0.150	30		0.2

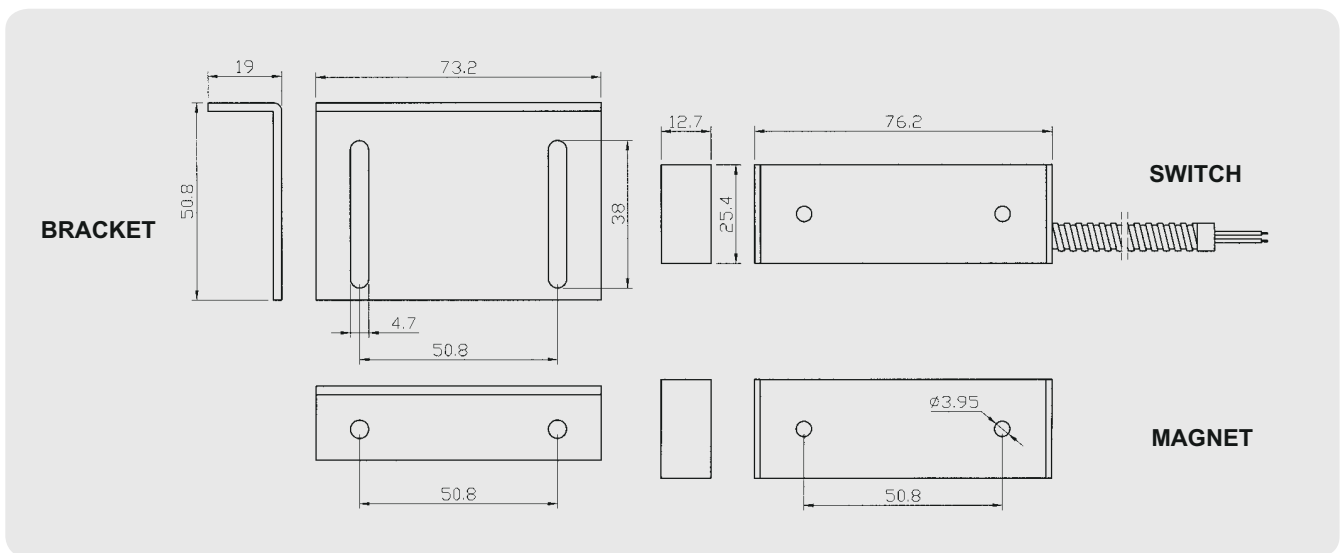
## Specification: **BS-2072**

- Metal magnetic contacts
- Ideal for securing chain link fence
- Bracket included
- Longer cable available
- Weather resistant aluminum housing
- Switches or magnets are available separately
- 2 Conductor jacket cable on request(BS-2072J)
- Ideal for securing chain link fence
- Resistor, Diode and Supervisory Loop available on request

### ••• Surface Mounted



## Dimension (mm):



## Order Information:



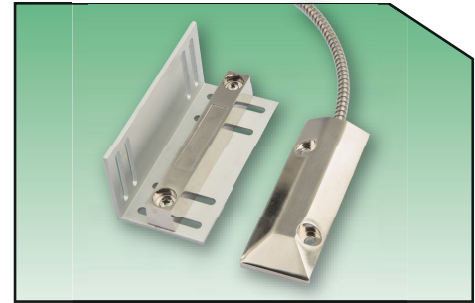
Part Number	Loop Type	Reed Form	Closed Gap [Inch(mm)]	Departure Gap [Inch(mm)]	Maximum Initial Contact Resistance (Ohm)	Maximum Contact Rating (W)	Maximum Switching Voltage (VDC/VAC)	Maximum Switching Current (A)
BS-2072	Closed	N/O	2.5 (65)	2.8 (71)	0.150	7.5	100	0.4
BS-2072WG	Closed	N/O	3(75)	3.3 (83)	0.150	7.5	100	0.4
BS-2072A	Open	N/C	2 1/2(65)		0.150	3	30	0.2
BS-2072C	Closed & Open	SPDT	2 1/2(65)		0.150	3	30	0.2
BS-2072D	DPDT	2SPDT	2 1/2(65)		0.150	3	30	0.2

\* These magnetic contact switches shall be installed so that a door or other movable opening cannot be opened more than 2 inches (51mm) without initiating an alarm. Switches exceeding 2 inches can not be installed per UL681-the Standard for installation and Classification of Burglar and Holdup Alarm

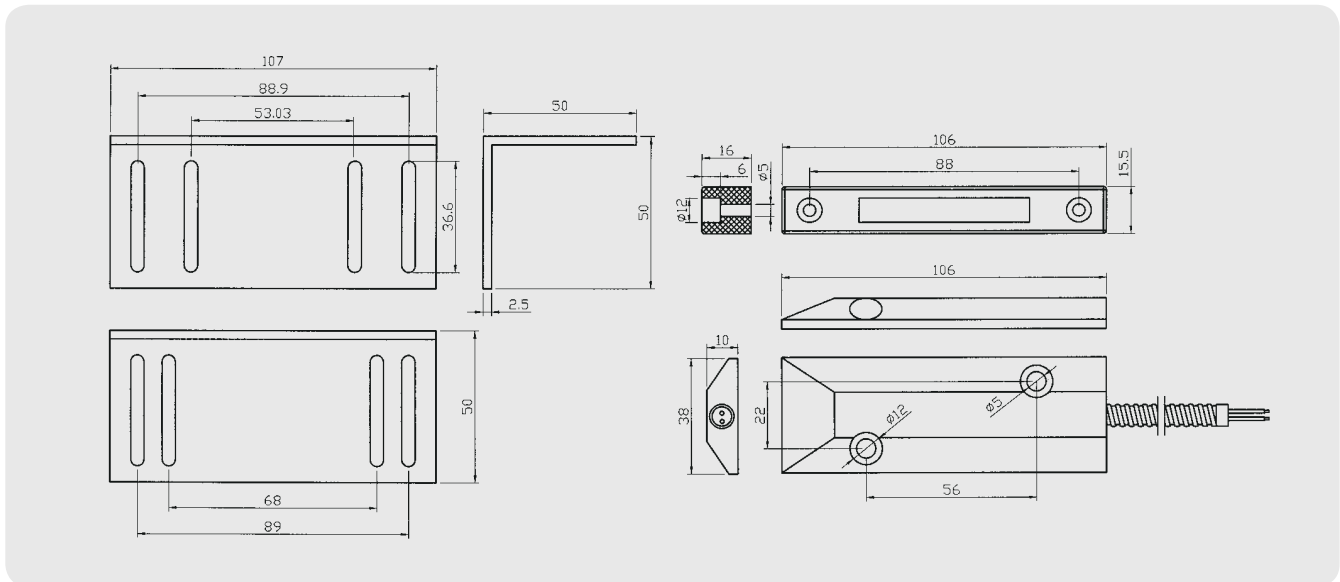
## Specification: **BSD-3011**

- Cast aluminum casting for harsh environment
- Wire: #22AWG with 22" armored cable
- Longer cable available on request
- Optional " L " bracket
- Resistor, Diode and Supervisory Loop available on request

### Overhead Door Contact



## Dimension (mm):



## Order Information:

Part Number	Loop Type	Reed Form	Closed Gap [Inch(mm)]	Departure Gap [Inch(mm)]	Maximum Initial Contact Resistance (Ohm)	Maximum Contact Rating (W)	Maximum Switching Voltage (VDC/VAC)	Maximum Switching Current (A)
BSD-3011	Closed	N/O	2.5 (65)	2.8 (71)	0.150	7.5	100	0.4
BSD-3011WG	Closed	N/O	3(75)	3.3 (83)	0.150	7.5	100	0.4
BSD-3011A	Open	N/C	2 1/2(65)		0.150	3	30	0.2
BSD-3011C	Closed & Open	SPDT	2 1/2(65)		0.150	3	30	0.2
BSD-3011D	DPDT	2SPDT	2 1/2(65)		0.150	3	30	0.2

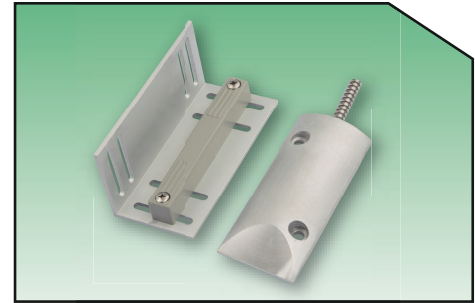


\* These magnetic contact switches shall be installed so that a door or other movable opening cannot be opened more than 2 inches (51mm) without initiating an alarm. Switches exceeding 2 inches can not be installed per UL681-the Standard for installation and Classification of Burglar and Holdup Alarm

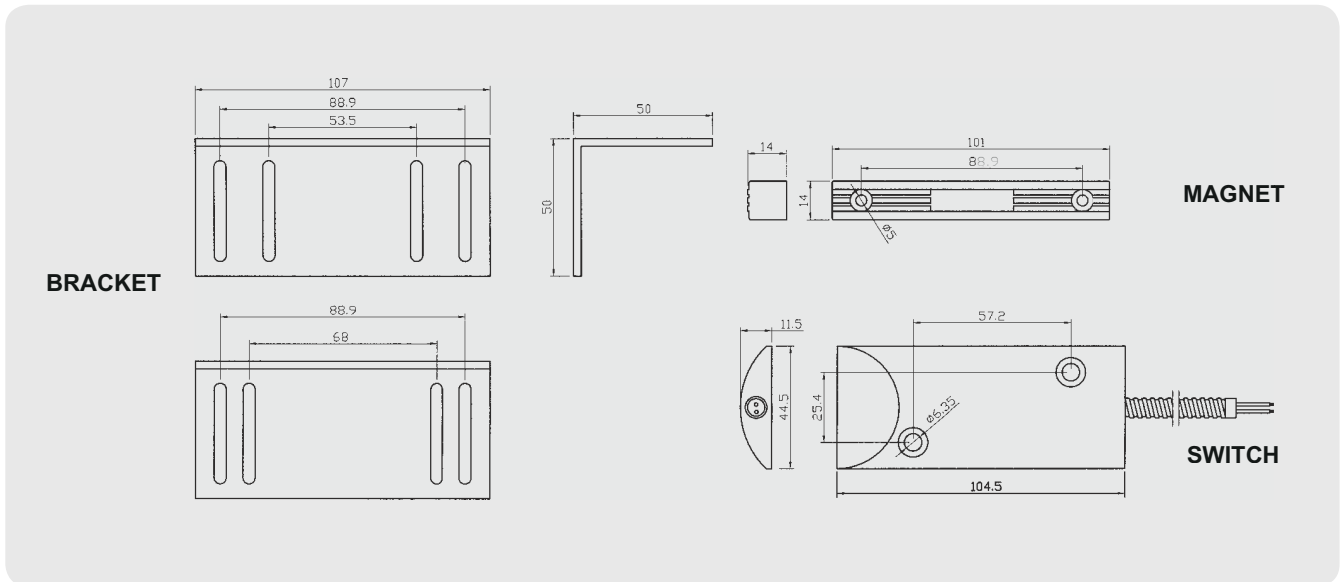
## Specification: **BSD-3012**

- Extrude aluminum case for harsh environment
- Wire: #22AWG with 22" armored cable
- Longer cable available on request
- Optional " L " bracket
- Resistor, Diode and Supervisory Loop available on request

### Overhead Door Contact



## Dimension (mm):



## Order Information:



Part Number	Loop Type	Reed Form	Closed Gap [Inch(mm)]	Departure Gap [Inch(mm)]	Maximum Initial Contact Resistance (Ohm)	Maximum Contact Rating (W)	Maximum Switching Voltage (VDC/VAC)	Maximum Switching Current (A)
BSD-3012	Closed	N/O	2.5 (65)	2.8 (71)	0.150	7.5	100	0.4
BSD-3012WG	Closed	N/O	3 (75)	3.3 (83)	0.150	7.5	100	0.4
BSD-3012A	Open	N/C	2.4 (60)		0.150	3	30	0.2
BSD-3012C	Closed & Open	SPDT	2.4 (60)		0.150	3	30	0.2
BSD-3012D	DPDT	2SPDT	2.4 (60)		0.150	3	30	0.2

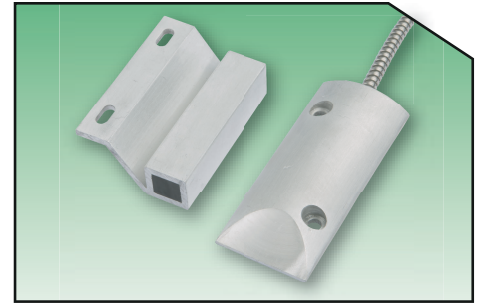
\* These magnetic contact switches shall be installed so that a door or other movable opening cannot be opened more than 2 inches (51mm) without initiating an alarm. Switches exceeding 2 inches can not be installed per UL681-the Standard for installation and Classification of Burglar and Holdup Alarm



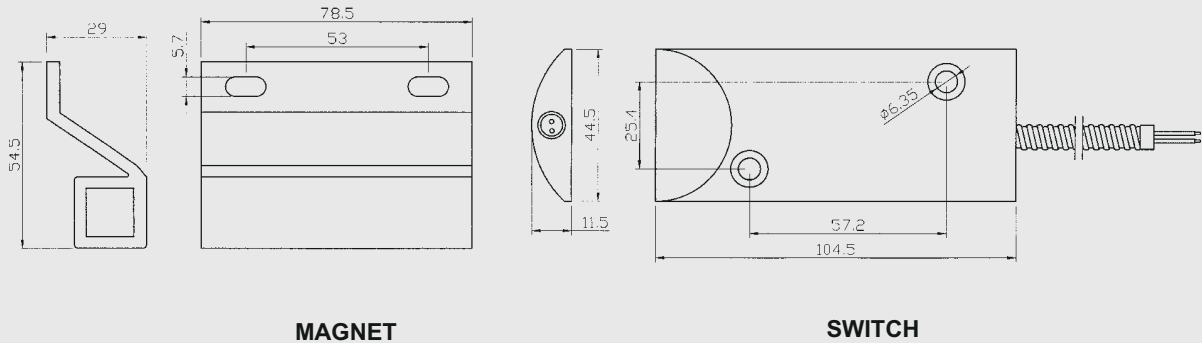
## Specification: **BSD-3013**

- Miniature floor mount
- Universal magnet for flexibility in mounting
- Extrude aluminum casings for harsh environments
- Wire: #22AWG with 22" armored cable
- Longer cable available on request
- Switches or magnets are available separately
- Jacket cable available: BSD3013-JK
- Resistor, Diode and Supervisory Loop available on request

### Overhead Door Contact



## Dimension (mm):



## Order Information:



Part Number	Loop Type	Reed Form	Closed Gap [Inch(mm)]	Departure Gap [Inch(mm)]	Maximum Initial Contact Resistance (Ohm)	Maximum Contact Rating (W)	Maximum Switching Voltage (VDC/VAC)	Maximum Switching Current (A)
BSD-3013	Closed	N/O	2.5 (65)	2.8 (71)	0.150	7.5	100	0.4
BSD-3013WG	Closed	N/O	3 (75)	3.3 (83)	0.150	7.5	100	0.4
BSD-3013A	Open	N/C	2.4 (60)		0.150	3	30	0.2
BSD-3013C	Closed & Open	SPDT	2.4 (60)		0.150	3	30	0.2
BSD-3013D	DPDT	2SPDT	2.4 (60)		0.150	3	30	0.2

\* These magnetic contact switches shall be installed so that a door or other movable opening cannot be opened more than 2 inches (51mm) without initiating an alarm. Switches exceeding 2 inches can not be installed per UL681-the Standard for installation and Classification of Burglar and Holdup Alarm

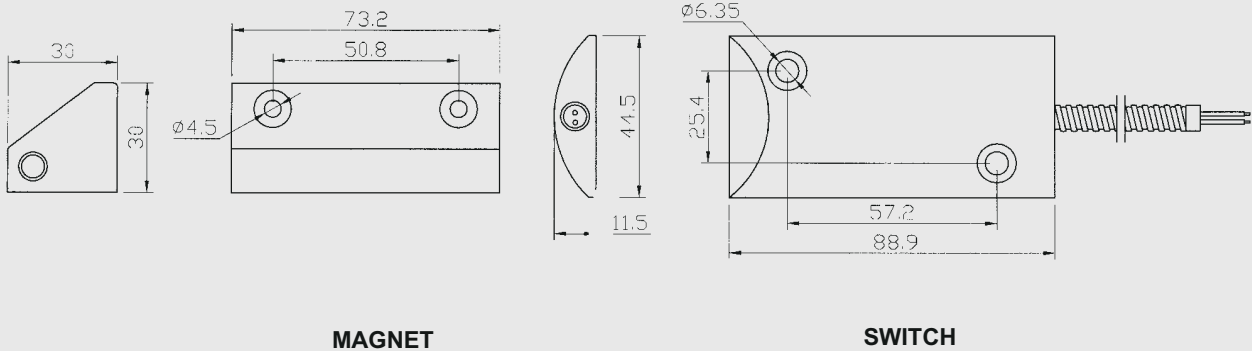
## Specification: **BSD-3014**

- Low Cost
- Heavy duty Aluminum housing
- Extrude aluminum casings for harsh environments
- Wire: #22AWG with 22" armored cable
- Longer cable available on request
- Switches or magnets are available separately
- Jacket cable available: BSD3014-J
- Optional " L " bracket
- Resistor, Diode and Supervisory Loop available on request

### Overhead Door Contact



## Dimension (mm):



## Order Information:



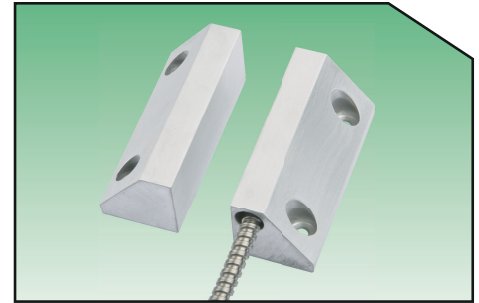
Part Number	Loop Type	Reed Form	Closed Gap [Inch(mm)]	Departure Gap [Inch(mm)]	Maximum Initial Contact Resistance (Ohm)	Maximum Contact Rating (W)	Maximum Switching Voltage (VDC/VAC)	Maximum Switching Current (A)
BSD-3014	Closed	N/O	2.5 (65)	2.8 (71)	0.150	7.5	100	0.4
BSD-3014WG	Closed	N/O	3 (75)	3.3 (83)	0.150	7.5	100	0.4
BSD-3014A	Open	N/C	2.4 (60)		0.150	3	30	0.2
BSD-3014C	Closed & Open	SPDT	2.4 (60)		0.150	3	30	0.2
BSD-3014D	DPDT	2SPDT	2.4 (60)		0.150	3	30	0.2

\* These magnetic contact switches shall be installed so that a door or other movable opening cannot be opened more than 2 inches (51mm) without initiating an alarm. Switches exceeding 2 inches can not be installed per UL681-the Standard for installation and Classification of Burglar and Holdup Alarm

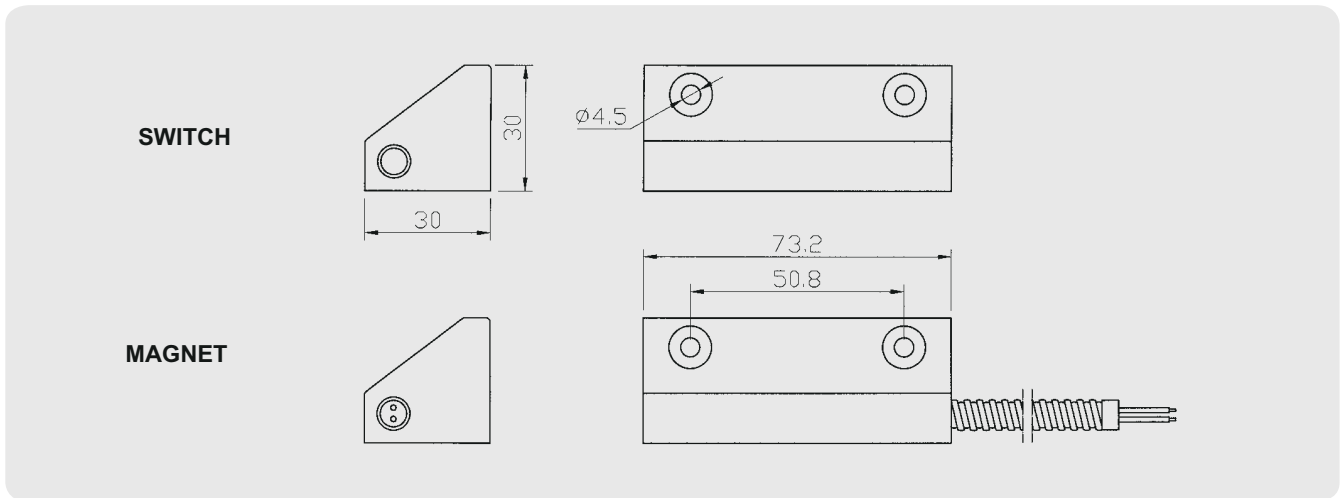
## Specification: **BSD-3015**

- Small size
- Heavy duty Aluminum housing
- Extrude aluminum casings for harsh environments
- Wire: #22AWG with 22" armored cable
- Longer cable available on request
- Switches or magnets are available separately
- Jacket cable available: BSD3014-J
- Optional " L " bracket
- Resistor, Diode and Supervisory Loop available on request

## Overhead Door Contact



## Dimension (mm):



## Order Information:



Part Number	Loop Type	Reed Form	Closed Gap [Inch(mm)]	Departure Gap [Inch(mm)]	Maximum Initial Contact Resistance (Ohm)	Maximum Contact Rating (W)	Maximum Switching Voltage (VDC/VAC)	Maximum Switching Current (A)
BSD-3015	Closed	N/O	2.5 (65)	2.8 (71)	0.150	7.5	100	0.4
BSD-3015WG	Closed	N/O	3 (75)	3.3 (83)	0.150	7.5	100	0.4
BSD-3015A	Open	N/C	2.4 (60)		0.150	3	30	0.2
BSD-3015C	Closed & Open	SPDT	2.4 (60)		0.150	3	30	0.2
BSD-3015D	DPDT	2SPDT	2.4 (60)		0.150	3	30	0.2

\* These magnetic contact switches shall be installed so that a door or other movable opening cannot be opened more than 2 inches (51mm) without initiating an alarm. Switches exceeding 2 inches can not be installed per UL681-the Standard for installation and Classification of Burglar and Holdup Alarm