

Manual Call-point
CP-5110

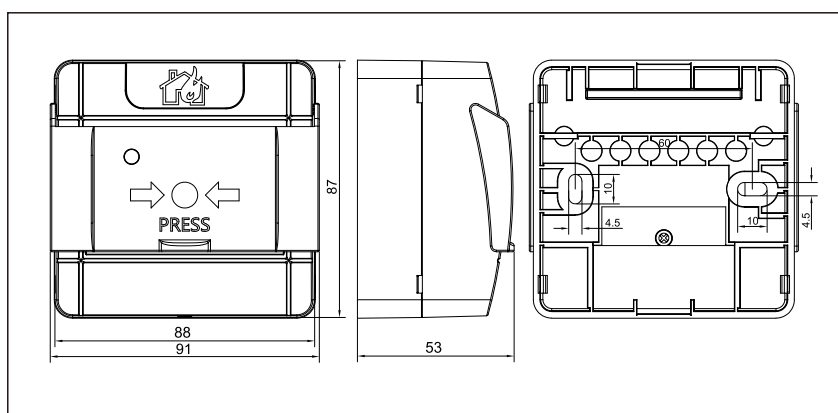
1. Summary

The CP-5110 manual call-point is installed in public places, such as the wall of the building walkway, near the hotel information desk and other eye-catching places. After you confirming the fire, press the button to send a fire alarm signal to the controller. The CP-5110 manual call-point adopts a large plastic structure and it is consisting of two parts: the mounting base and top cover. The installation and disassembly of the CP-5110 manual call-point are simple and easy, which is convenient for engineering debugging and maintenance. After pressing the button, you need to reset it with a dedicated key, just inset the key into the keyhole and push it.

This product is not suitable for use in the following locations:

- (1) There is a large oil mist and corrosive gases pollution.
- (2) The relative humidity is greater than 95%.

2. Appearance and size



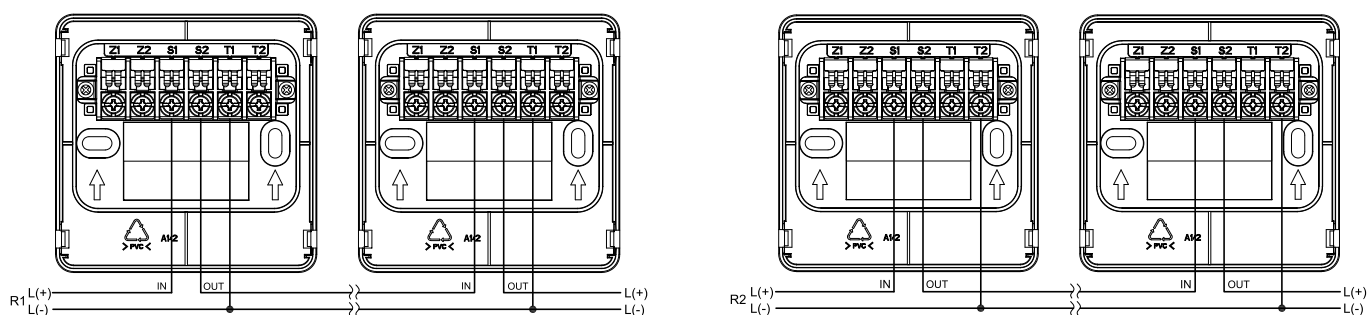
3. Electrical parameter

DC24V Power Supply	R2(-) (470R)	R1(-) (680R)
LED (+)	44±2mA	30±2mA
C (+)	51±2mA	35±2mA
Working Voltage	DC3V-DC33V	

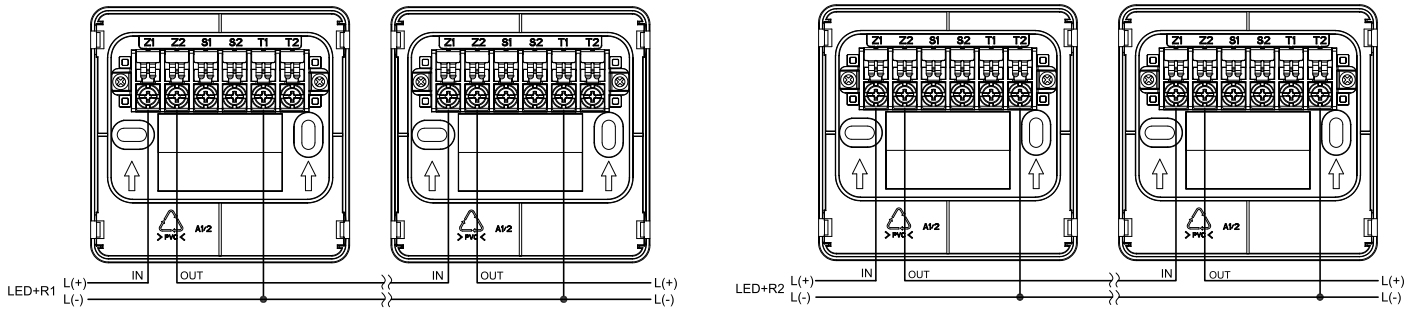
4. Product introduction

In the normal working status, the indicator of the product is off. When there is a fire, press the button in the middle of the product and the two alarm indicators will be on, (If the anode is connected to the LED, the cathode is connected to R1, the indicator will be on and there will generate a 30±2mA alarm current on the line L1 and L2. If the anode is connected to the LED, the cathode is connected to R2, the indicator will be on and there will generate a 44±2mA alarm current on the line L1 and L2. If the anode is connected to the C, the cathode is connected to R1, the indicator will be off and there will generate a 35±2mA alarm current on the line L1 and L2. If the anode is connected to the C, the cathode is connected to R2, the indicator will be off and there will generate a 51±2mA alarm current on the line L1 and L2.) The controller will recognize the alarm through the current change and send an alarm signal. To exit the alarm, you need to reset it with a dedicated key provided by the company. Environment: Temperature -10°C ~ +55°C, Relative humidity ≤95% RH (40°C ±2°C), indoor. Executive standard: EN 54-11.

5. Wiring Guideline



Manual Call-point
CP-5110



6. Terminal Wiring Guideline

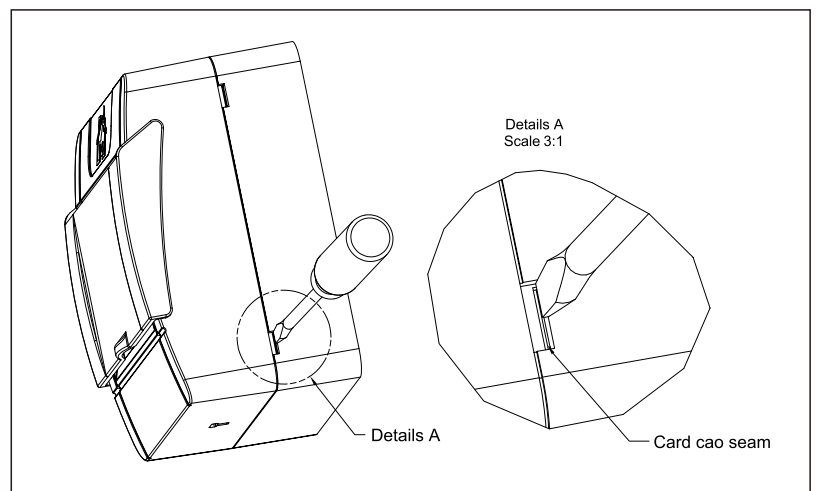
Connection Method	Z1	Z2	S1	S2	T1	T2
		LED	LED	C	C	R1
R1			IN(+)	OUT(+)	(-)	
R2			IN(+)	OUT(+)		(-)
LED+R1	IN(+)	OUT(+)			(-)	
LED+R2	IN(+)	OUT(+)				(-)

7. Wiring requirements

It is recommended to use RVS-2×1.0mm² twisted multi-strand copper core wire to lay through the metal or flame retardant tube. The actual working voltage of the manual call-point at the farthest end of the connection is guaranteed to be more than 10V. Otherwise, the wire diameter of the wire should be increased.

8. Disassembly method

Insert a slotted screwdriver into the slot of the card and push it down firmly so that the buckle on the upper cover is disengaged from the slot on the base, and then pull the slotted screwdriver to the right to disengage the upper cover from the base slot. Then, in the same way, the other buckle on the same side is separated from the base card slot. After that, grasping the upper cover and pulling it to one side, the upper cover can be separated from the base. During the disassembly, be careful not to damage the buckle and the card slot.



9. Installation Environment

At least one manual call-point should be set for each fire zone, and the any position within the partition to the manual call-point should not exceed 30 meters. The specific parameters should be reference to "Code for Design of Automatic Fire Alarm System" (GB 50116-2013).The installation of the manual call-point should refer to the standard drawing "Fire Alarm and Fire Control" 04X501. Manual call-points are installed on walls that are perpendicular to the ground or other partitions that are perpendicular to the ground.

10. Maintenance

Maintenance should be done by a professional company (preferably the Manufacturer).



Manufacturer:

Sentek Electronics Co., Ltd.
#448 Yingchun road, Wangchun Industrial Park, Ningbo City 315175, Zhejiang, China
Tel: 86-574-8715 3117 Fax: 86-574-8715 5951 E-mail: sales@sentek.cc Http: //www.sentek.cc